



Assembly Instructions Vera Square Outdoor Dining Table

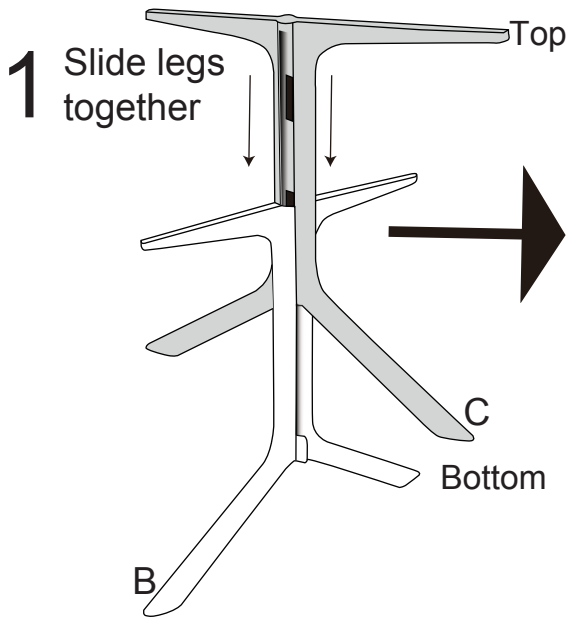
Before assembly please check you have all parts listed below.

PLEASE NOTE: We've tried to make this table as easy to assemble as possible.

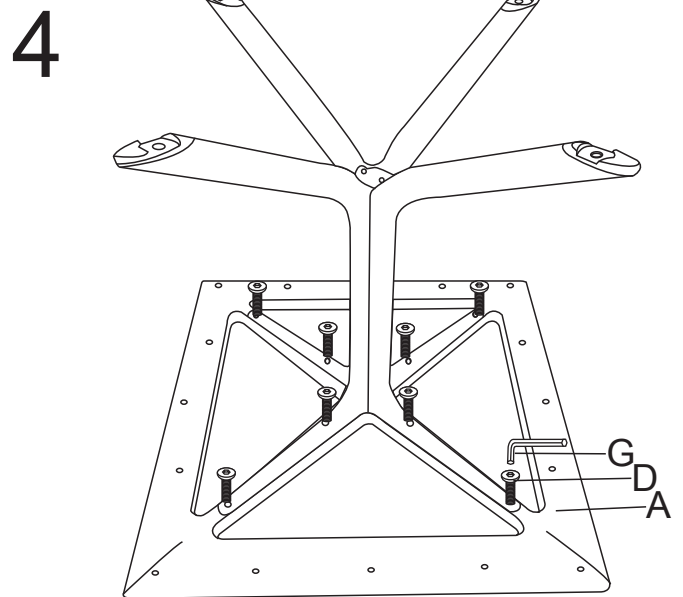
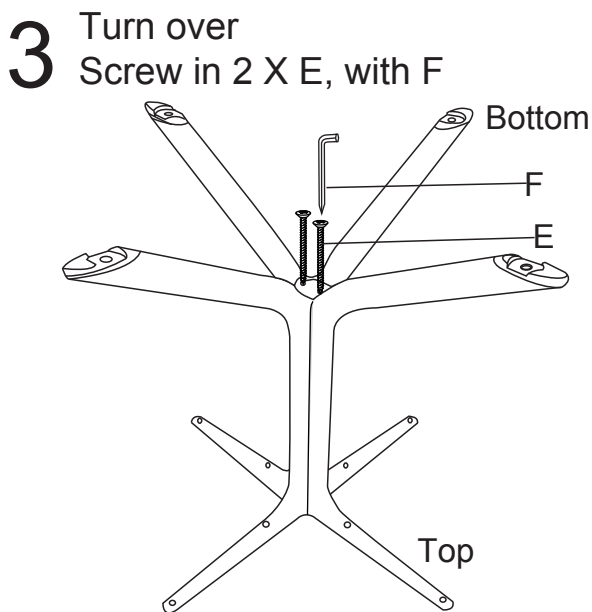
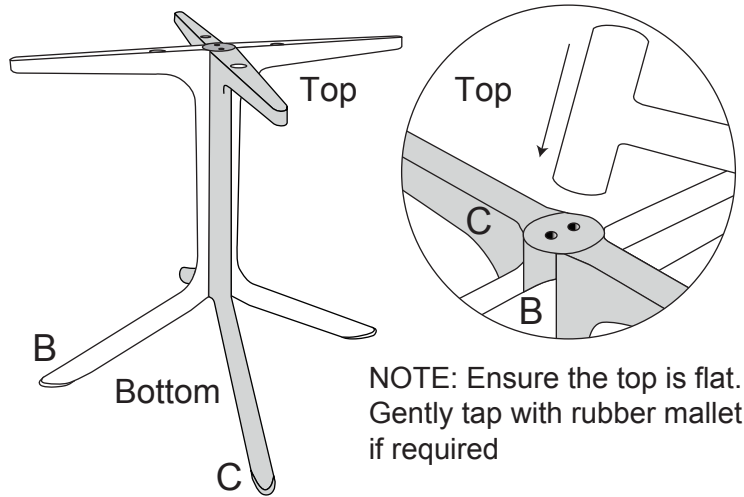
In the unlikely event you have problems putting it together or missing pieces, please contact us. Details below.

PARTS LIST

A Table top x 1	B Leg x 1	C Leg x 1	D x 8	E x 2	F x 1	G Allen Key x 1
-------------------------------	-------------------------	-------------------------	---------------------	---------------------	---------------------	-------------------------------



2 Slide the legs together
Make sure the top of B & C line up



Thank you for your purchase.

To learn more about our products please visit www.chairforce.com.au and www.chairforce.co.nz

AU: Call: 08 9436 8570

Email: customer@brayco.com.au

NZ: Call: 09 271 5000

Email: sales@chairforce.co.nz



Please recycle these instructions