

COMPACT POLYPROPYLENE TROLLEY



PP TROLLEY

Overall Dimensions:

823 (w) x 410 (d) x 850 mm (h)

Load Rating: 40 kg per tray


Shipping Dimensions:

750 (w) x 420 (d) x 280 mm (h)

Shipping Weight: 12 kg

Material: Polypropylene trays.
Aluminium legs.

PRODUCT CODE: TR3TPS

 Brayco Stainless Steel is made from 95% recycled materials

FEATURES AND BENEFITS

- Easy clean compact polypropylene trolley.
- Built tough.
- Supplied Flat Pack: Simple assembly required.
- 4 Easy Swivel Castors
- Light Weight: Easy to manoeuvre.
- Fixed Height Trays.
- Smart Design: Tray features an angled lip design which prevents spillage or accidents.
- Optional Sides (TR3TPS-S): Polypropylene trolley with sides.

EXTRAS

- Cutlery and refuse bins hook onto sides

Model: PPBINC

Capacity: 8L

Dimensions:

335 (w) x 231 (d) x 180 mm(h)

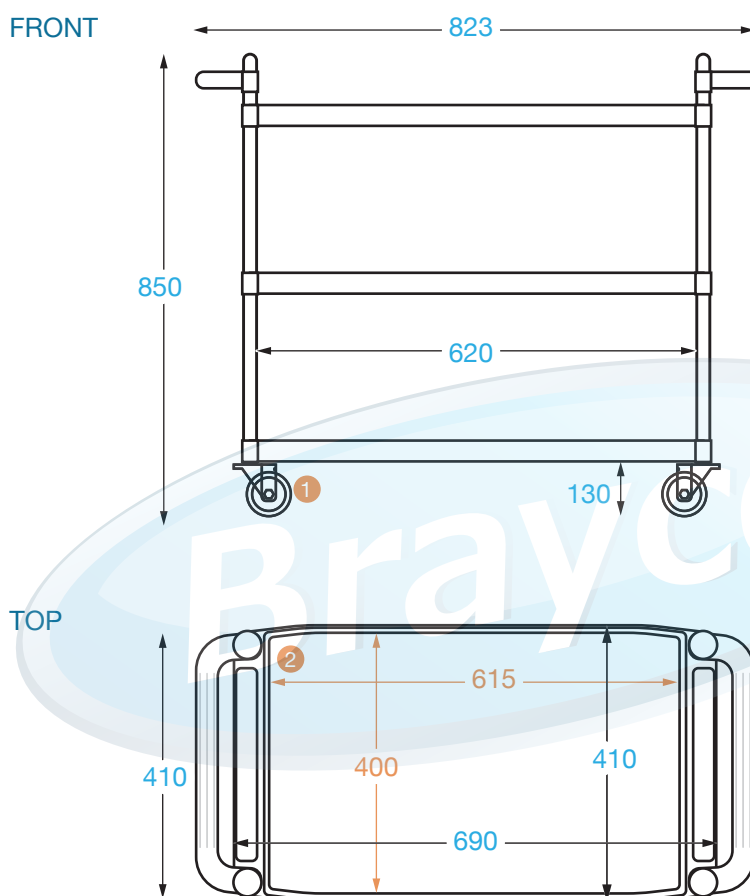


Model: PPBINR

Capacity: 20L

Dimensions:

335 (w) x 231 (d) x 445 mm(h)



COMPONENTS

- | | | |
|---|--------------------------|------------------------|
| ① | Castors | 4 x heavy duty castors |
| ② | Trays - Inner Dimensions | 615 x 400 mm |
| | Outer Dimensions | 690 x 410 mm |



Brisbane • Sydney • Melbourne • Hobart • Adelaide • Perth • Auckland

For more info please contact your nearest Brayco Branch 1300 272 926 | brayco.com.au