



ASSEMBLY INSTRUCTIONS

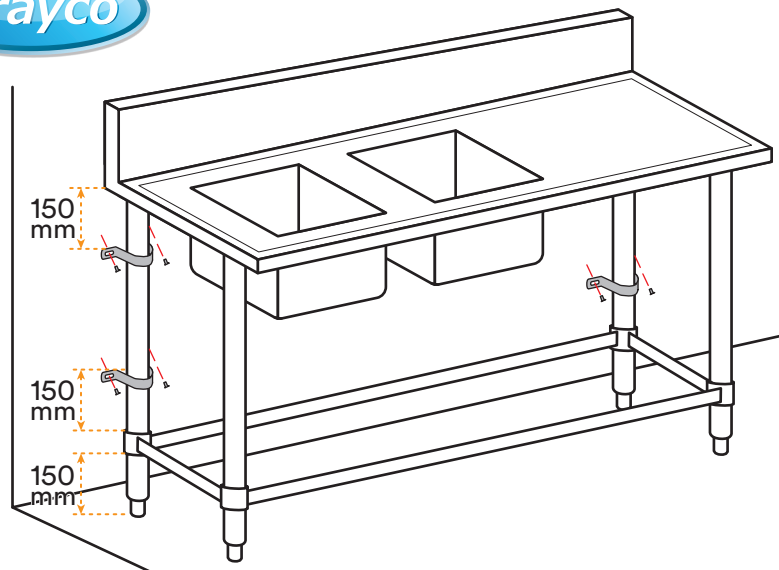
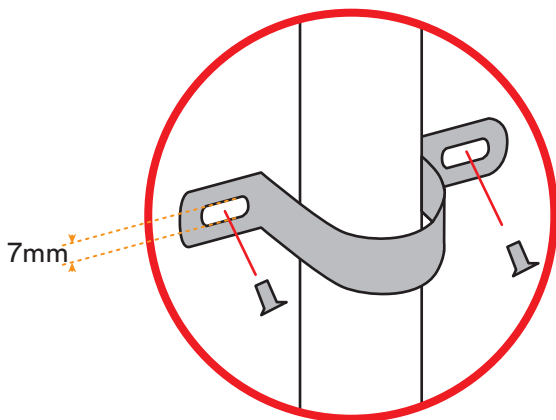
Wall Brackets for Sinks Legs

Secure your Brayco sink to the wall, with 2 wall brackets per leg.

Please note: fixings not included.

For sinks with 4 legs, you will need 2 sets.

For sinks with 8 legs, you will need 4 sets.



This bracket will NOT fit below:

- Dishwash inlet & outlet benches
- 762mm deep flat benches
- 700mm deep splashback benches
- 700mm deep economy flat benches
- 700mm deep economy splashback benches

Safety Tips:

- While all care has been taken to remove sharp edges, use caution cleaning or handling to minimise the risk of injury from exposed metal edges.

Thank you for your purchase. To learn more about our products, please visit www.brayco.com.au and www.braycostainless.co.nz.

AU: Call: 1300 272 926 Email: customer@brayco.com.au
NZ: Call: 09 271 5000 Email: sales@braycostainless.co.nz

Please recycle these instructions