

## 2-TIER OVERSHELF 350mm DEEP



### 2-TIER OVERSHELF

**Overall Dimensions:**

1450 (w) x 350 (d) x 800 mm (h)

**Load Capacity:** 38 kg per shelf

\*weight must spread across the entire shelf\*

**Shipping Dimensions:**

1500 (w) x 420 (d) x 110 mm (h)


**Shipping Weight:** 12 kg

**Material:**

Shelves: 2 mm 430 grade stainless steel

Legs: 201 grade 25 mm diameter stainless steel

**PRODUCT CODE:** SH2T1450

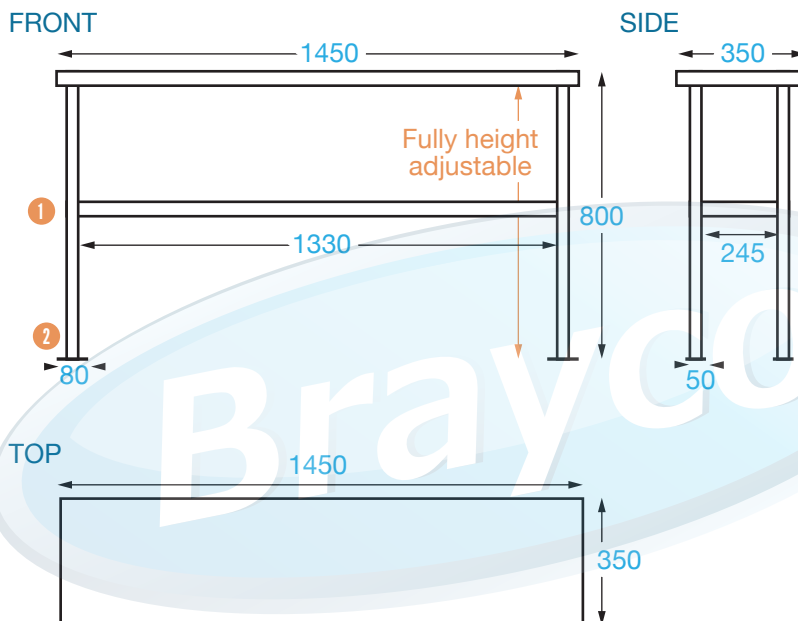
 Brayco Stainless Steel is made from 95% recycled materials

#### FEATURES AND BENEFITS

- **Construction:** Our units are fully stainless steel with round legs.
- **Adjustable Undersheff:** Fully height adjustable.
- **Legs can be cut down to reduce height.**
- **Supplied Flat Pack:** Simple assembly required.
- **Extra shelves available.**

#### OTHER SIZES AVAILABLE:

- SH2T550  
550 (w) x 350 (d) x 800 mm (h).
- SH2T850  
850 (w) x 350 (d) x 800 mm (h).
- SH2T1150  
1150 (w) x 350 (d) x 800 mm (h).
- SH2T1750  
1750 (w) x 350 (d) x 800 mm (h).



#### COMPONENTS

- |               |                                                             |
|---------------|-------------------------------------------------------------|
| ① Shelves     | 1.2 mm 430 grade stainless steel                            |
| Load Capacity | 38 kg per shelf, weight must spread across the entire shelf |
| ② Legs        | ø25, 201 grade stainless steel                              |



It is important that your stainless steel is kept clean to extend the lifetime of the product.



For more info please contact your nearest Brayco Branch 1300 272 926 | [brayco.com.au](http://brayco.com.au)