

2-TIER OVERSHELF 350mm DEEP



2-TIER OVERSHELF

Overall Dimensions:

1150 (w) x 350 (d) x 800 mm (h)

Load Capacity: 30 kg per shelf

weight must spread across the entire shelf

Shipping Dimensions:

1200 (w) x 420 (d) x 110 mm (h)


Shipping Weight: 9 kg

Material:

Shelves: 2 mm 430 grade stainless steel

Legs: 201 grade 25 mm diameter stainless steel

PRODUCT CODE: SH2T1150

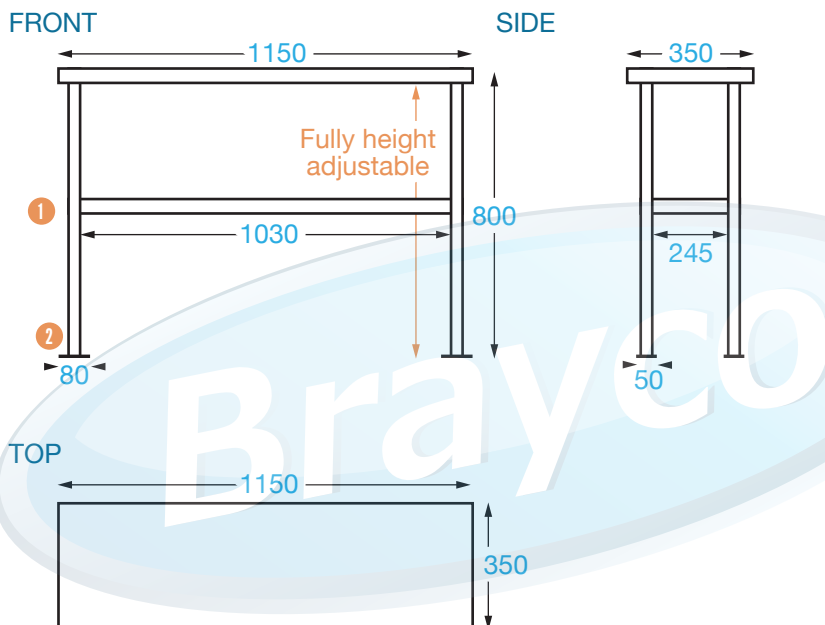
 Brayco Stainless Steel is made from 95% recycled materials

FEATURES AND BENEFITS

- **Construction:** Our units are fully stainless steel with round legs.
- **Adjustable Undershelf:** Fully height adjustable.
- **Legs can be cut down to reduce height.**
- **Supplied Flat Pack:** Simple assembly required.
- **Extra shelves available.**

OTHER SIZES AVAILABLE:

- SH2T550
550 (w) x 350 (d) x 800 mm (h).
- SH2T850
850 (w) x 350 (d) x 800 mm (h).
- SH2T1450
1450 (w) x 350 (d) x 800 mm (h).
- SH2T1750
1750 (w) x 350 (d) x 800 mm (h).


COMPONENTS

- | | |
|---------------|---|
| ① Shelves | 1.2 mm 430 grade stainless steel |
| Load Capacity | 30 kg per shelf, weight must spread across the entire shelf |
| ② Legs | ø25, 201 grade stainless steel |



It is important that your stainless steel is kept clean to extend the lifetime of the product.



For more info please contact your nearest Brayco Branch 1300 272 926 | brayco.com.au