

WALL MOUNTED MOP SINK



MOP SINK

Overall Dimensions:

610 (w) x 530 (d) x 480 mm (h)

Splashback Height: 25 mm

Bowl Size:

500 (w) x 400 (d) x 250 mm (h)

Capacity: 50 L


Shipping Dimensions:

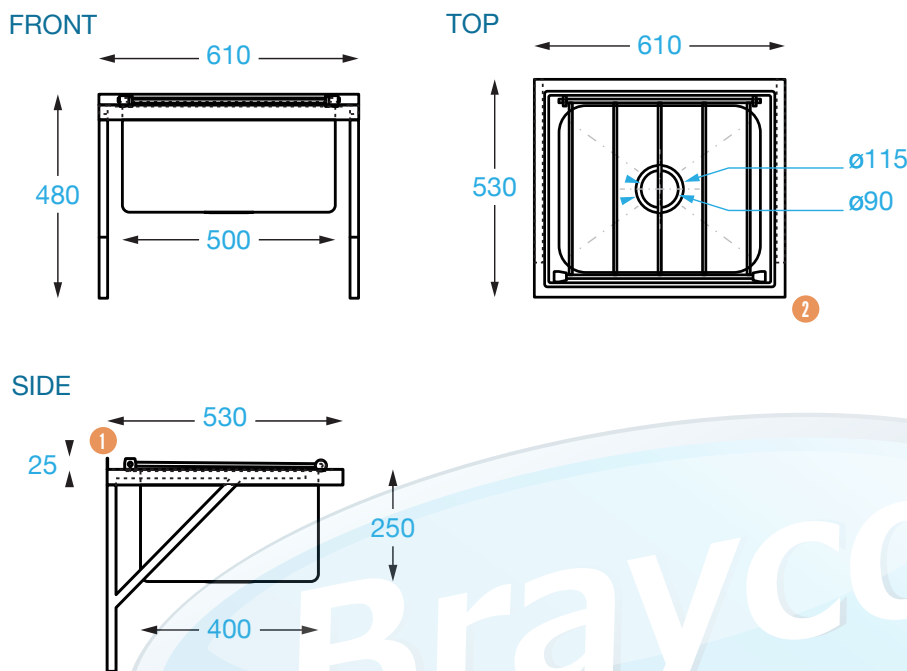
680 (w) x 570 (d) x 300 mm (h)

Shipping Weight: 6 kg

Material: 2 mm food-grade 304 stainless steel on the top.

PRODUCT CODE: MOP SINK

 Brayco Stainless Steel is made from 95% recycled materials



FEATURES AND BENEFITS

- Wall Mounted
- Construction: Our units are fully stainless steel. Very sturdy.
- Bowl: Fully welded for strength and superior durability.
- Tap Location: Untapped to allow for universal plumbing as required.
- Hinged Grate: Designed for a mop bucket to be placed on top.
- Sink Drainer Included

COMPONENTS

- 1 Splashback
- 2 Fully welded bowls

DIMENSIONS

- 25 mm
50 ltr capacity



These products are compliant with all applicable Australian health department regulations.



It is important that your stainless steel is kept clean to extend the lifetime of the product.



Brisbane • Sydney • Melbourne • Hobart • Adelaide • Perth • Auckland
For more info please contact your nearest Brayco Branch 1300 272 926 | brayco.com.au