

INSET SINK



INSET SINK

Overall Dimensions:
540 (w) x 490 (d) x 300 mm (h)

Bowl Size:
500 (w) x 450 (d) x 300 mm (h)


Capacity: 67 L

Shipping Dimensions:
540 (w) x 490 (d) x 300mm (h)

Shipping Weight: 7.65kg

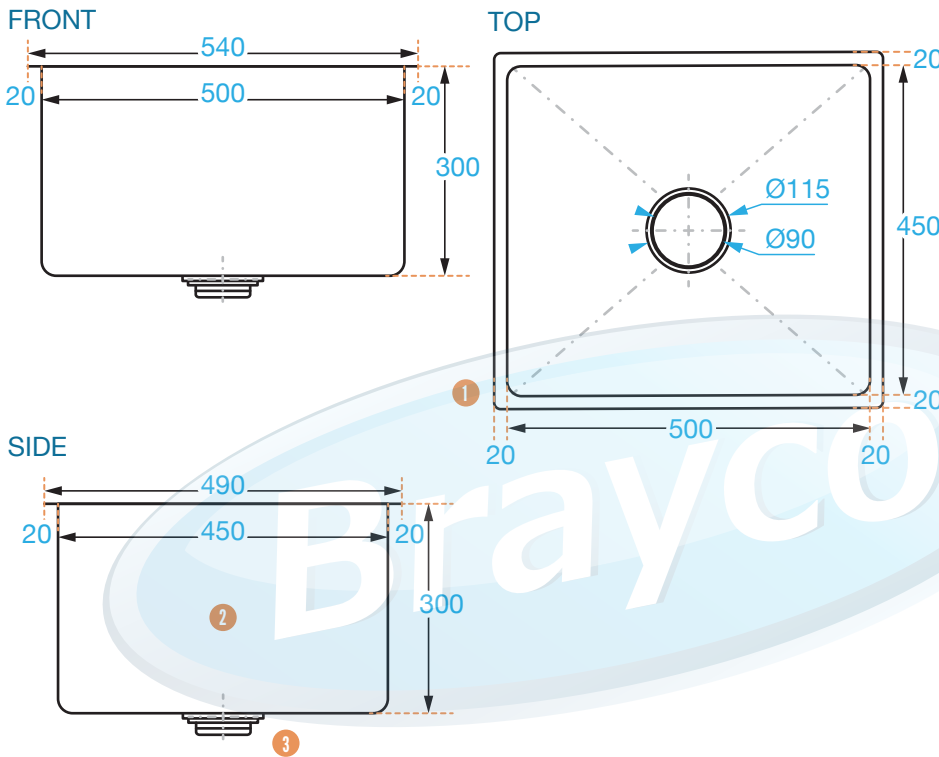
Material: 1.2 mm food-grade 304 stainless steel.

PRODUCT CODE: INS5045

 Brayco Stainless Steel is made from 95% recycled materials

FEATURES AND BENEFITS

- **Fully Stainless Steel:** Food grade 304 stainless steel. **STRONG.**
- **Construction:** Fully welded for strength and superior durability.
- **20 mm lip:** Suitable for top-mount.
- **Sink Drainer Included.**




COMPONENTS

- 1 Lip
- 2 Fully welded bowls
- 3 Waste Outlet

DIMENSIONS

- 20 mm
- 67 ltr capacity
- 90 mm (diameter)

 It is important that your stainless steel is kept clean to extend the lifetime of the product.



Brisbane • Sydney • Melbourne • Hobart • Adelaide • Perth • Auckland
For more info please contact your nearest Brayco Branch 1300 272 926 | brayco.com.au

Whilst all care has been taken when compiling this information, designs & dimensions shown are indicative only and should not be relied upon without prior approval. Brayco reserves the right to make changes without notice.