

# INSET SINK



## INSET SINK

### Overall Dimensions:

395 (w) x 405 (d) x 170 mm (h)

### Bowl Size:

355 (w) x 305 (d) x 170 mm (h)

**Capacity:** 18 L


### Shipping Dimensions:

390 x 400 x 170mm

**Shipping Weight:** 3.1kg

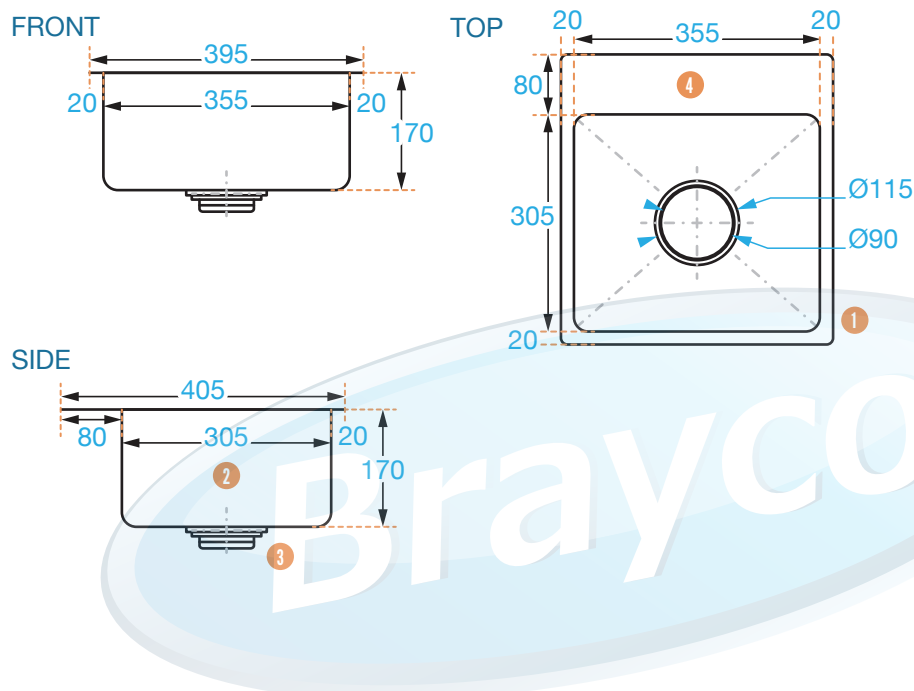
**Material:** 1 mm food-grade 304 stainless steel.

**PRODUCT CODE:** INS3530TL

 Brayco Stainless Steel is made from 95% recycled materials

### FEATURES AND BENEFITS

- Fully Stainless Steel: Food grade 304 stainless steel. STRONG.
- Construction: Fully welded for strength and superior durability.
- 20 mm lip: Suitable for top-mount.
- 80 mm lip: For tap installation.
- Sink Drainer Included.



### COMPONENTS

- 1 Lip
- 2 Fully welded bowls
- 3 Waste Outlet
- 4 Tap Landing

### DIMENSIONS

- 20 mm  
 18 ltr capacity  
 90 mm (diameter)  
 80 mm



It is important that your stainless steel is kept clean to extend the lifetime of the product.



Brisbane • Sydney • Melbourne • Hobart • Adelaide • Perth • Auckland  
 For more info please contact your nearest Brayco Branch 1300 272 926 | [brayco.com.au](http://brayco.com.au)