

INSET SINK



INSET SINK

Overall Dimensions:

340 (w) x 350 (d) x 200 mm (h)

Bowl Size:

300 (w) x 250 (d) x 200 mm (h)

Capacity: 15 L


Shipping Dimensions:

340 x 350 x 200mm

Shipping Weight: 2.7kg

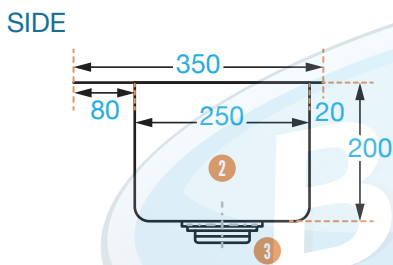
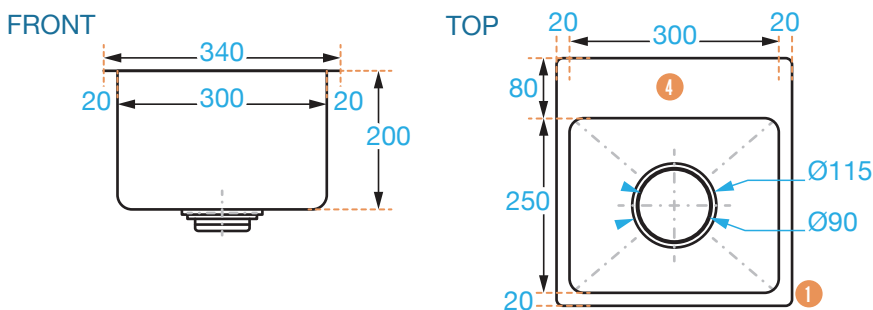
Material: 1 mm food-grade 304 stainless steel.

PRODUCT CODE: INS3025TL

 Brayco Stainless Steel is made from 95% recycled materials

FEATURES AND BENEFITS

- **Fully Stainless Steel:** Food grade 304 stainless steel. STRONG.
- **Construction:** Fully welded for strength and superior durability.
- **20 mm lip:** Suitable for top-mount.
- **80 mm lip:** For tap installation.
- **Sink Drainer Included.**



COMPONENTS

- 1 Lip
- 2 Fully welded bowls
- 3 Waste Outlet
- 4 Tap Landing

DIMENSIONS

- 20 mm
- 15 ltr capacity
- 90 mm (diameter)
- 80 mm



It is important that your stainless steel is kept clean to extend the lifetime of the product.



Brisbane • Sydney • Melbourne • Hobart • Adelaide • Perth • Auckland
For more info please contact your nearest Brayco Branch 1300 272 926 | brayco.com.au