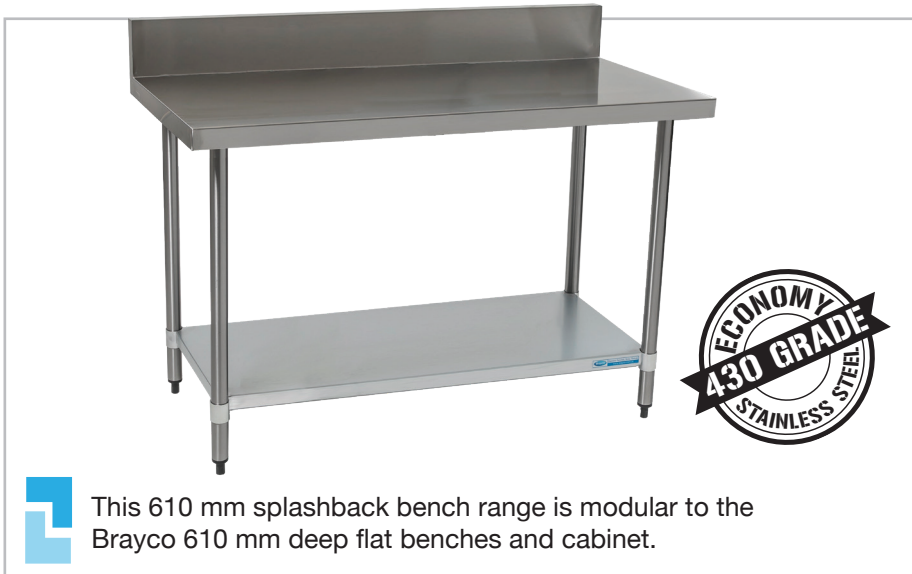


ECONOMY SPLASHBACK BENCH 700mm DEEP



This 610 mm splashback bench range is modular to the Brayco 610 mm deep flat benches and cabinet.

700 SERIES SPLASHBACK BENCH

Overall Dimensions:

1200 (w) x 700 (d) x 900 mm (h)

Splashback Height: 150 mm

Loading Capacity:

Top: 210kg, Undershelf: 100kg

Shipping Dimensions:

1240 x 740 x 250mm

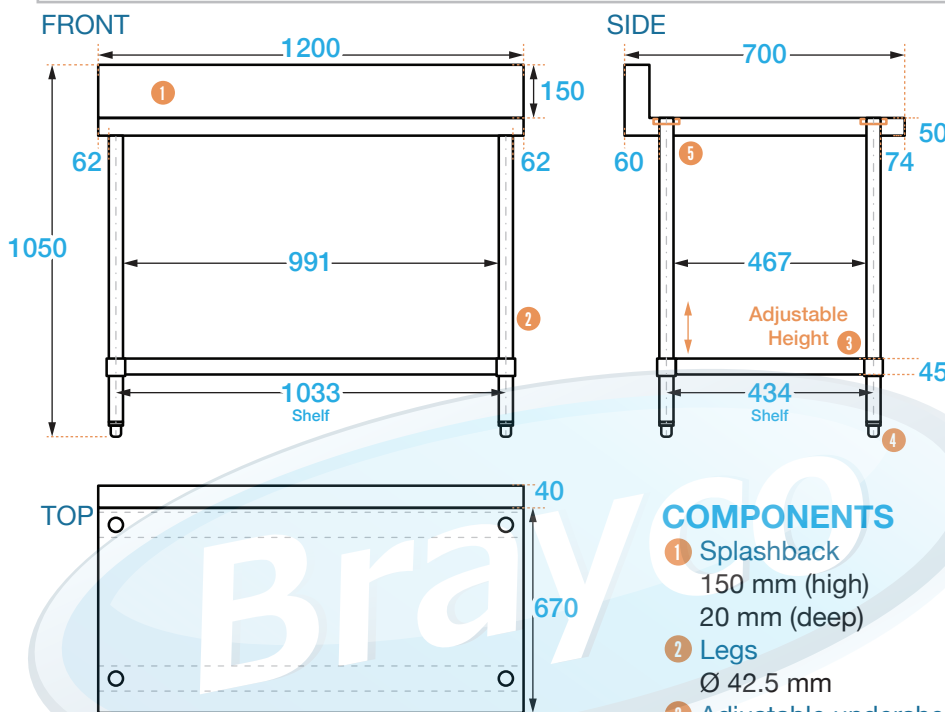
Shipping Weight: 26.1kg

Material:

Top: 1.2 mm 430 stainless steel

Undershelf: 1.2 mm galvanised steel

Legs: 1.2 mm galvanised steel



COMPONENTS

- 1 Splashback
150 mm (high)
20 mm (deep)
- 2 Legs
Ø 42.5 mm
- 3 Adjustable undershelf
1.2 mm
- 4 Adjustable feet
Adjust up to 18 mm
- 5 Welded socket
1.2 mm



It is important that your stainless steel is kept clean to extend the lifetime of the product.

LEG UPGRADES

- 410 Grade Stainless Legs & Feet:
304 grade stainless steel benches standard legs. Adjustable up to 18 mm.
- 201 Grade Stainless Legs & Feet:
For extremely salty or chemical conditions. Adjustable up to 38 mm.
- 410 Grade Stainless Legs & Lockable Castors
- 201 Grade Stainless Legs & Lockable Castors:
For extremely salty or chemical conditions.
- 410 Grade Stainless Steel Legs & Screw Down Feet:
Adjustable up to 20 mm.
- 201 Grade Stainless Steel Legs & Screw Down Feet:
For extremely salty or chemical conditions. Adjustable up to 20 mm.

PRODUCT CODE: ECO12070SP



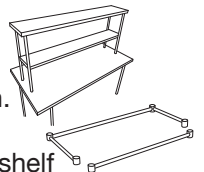
Brayco Stainless Steel is made from 95% recycled materials

FEATURES AND BENEFITS

- Galvanised adjustable Height Undershelf.
- 430 Grade Stainless Steel Top.
- Supplied Flat Pack: Simple assembly required.
- Construction: Our units are fully stainless steel with round legs.
- Adjustable Feet: Supplied attached to leg. See additional items below for upgrade options.

ADDITIONAL ITEMS

- 430 Grade Stainless Undershelf:
For extremely salty or chemical conditions.
- Lockable Drawers:
Add a unit with 1 or 2 lockable drawers.
- Overshelves:
2 tier overshelves sit on top of bench.
- Leg Brace Rail Kit:
Remove the undershelf and add a rail kit for extra strength.
- Leg attachments: Enclose your bench by attaching panels.
- Extra shelves also available



Brisbane • Sydney • Melbourne • Hobart • Adelaide • Perth • Auckland

For more info please contact your nearest Brayco Branch 1300 272 926 | brayco.com.au