

# ECONOMY FLAT BENCH 610mm DEEP

This 610 mm bench range is modular to the Brayco 610 mm deep sinks and splashback benches.



## 610 SERIES FLAT BENCH

### Overall Dimensions:

900 (w) x 610 (d) x 900 mm (h)

### Loading Capacity:

Top: 150kg, Undershelf: 80kg

### Shipping Dimensions:

Bench: 945 (w) x 655 (d) x 95mm (h)

Legs: 880 (w) x 95 (d) x 45mm (h)

### Shipping Weight: 20.3 kg

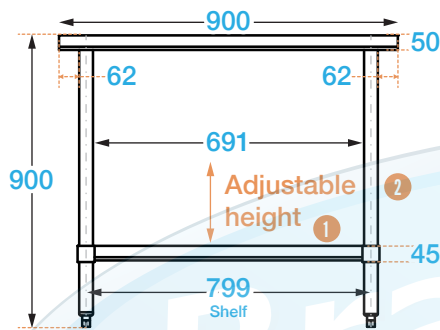
### Material:

Top: 1.2 mm 430 grade stainless steel

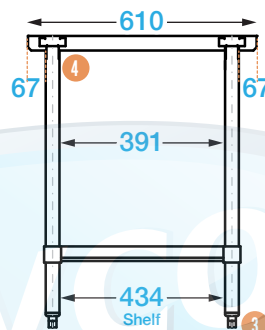
Undershelf: 1.2 mm galvanised steel

Legs: 1.2 mm galvanised steel

FRONT



SIDE



## COMPONENTS

- |                         |                            |
|-------------------------|----------------------------|
| ① Galvanised undershelf | 1.2 mm (height adjustable) |
| ② Galvanised steel legs | Ø 42.5 mm                  |
| ③ Adjustable feet       | Adjustable up to 20 mm     |
| ④ Welded sockets        | 1.2 mm                     |

## LEG UPGRADES

- 410 Grade Stainless Legs & Feet.
- 201 Grade Stainless Legs & Feet: For extremely salty or chemical conditions. Feet adjust up to 38 mm.
- Galvanised Legs & Lockable Castors.
- 410 Grade Stainless Legs & Lockable Castors.
- 201 Grade Stainless Legs & Lockable Castors: For extremely salty or chemical conditions.
- Galvanised Legs & Screw Down Feet.
- 410 Grade Stainless Steel Legs & Screw Down Feet: Adjustable up to 20 mm.
- 201 Grade Stainless Steel Legs & Screw Down Feet: Adjustable up to 20 mm.

## 304 vs 430 Stainless Steel

430 grade stainless steel benches offer a cost-effective alternative to the 304 grade. They provide durability but have slightly reduced corrosion resistance, making them a practical, budget-friendly choice for non-commercial purposes.

304 grade stainless steel benches are the preferred choice for professionals in the catering industry who require an impervious, or non porous food preparation surface.

Brayco highly recommends seeking guidance from your local health authority to ensure compliance with the regulations for food establishments and equipment.

## PRODUCT CODE: ECO9061

Brayco Stainless Steel is made from 95% recycled materials

## FEATURES AND BENEFITS

- Adjustable Height Undershelf.
- 430 Grade Stainless Steel Top.
- Supplied Flat Pack: Simple assembly required.
- Construction: 430 grade stainless steel bench top with galvanised round legs and undershelf.
- Adjustable Feet: Supplied attached to leg. See additional items below for upgrade options.

## ADDITIONAL ITEMS

- 430 Grade Stainless Undershelf: For extremely salty or chemical conditions.
- Leg Brace Rail Kit: Remove the undershelf and add a rail kit for extra strength. Allows for extra storage such as a dishwasher, washing machine, etc.
- Leg attachments: Enclose your bench by attaching panels.
- Overshelves: 2 tier overshelves sit on top of your bench.
- Extra shelves also available



It is important that your stainless steel is kept clean to extend the lifetime of the product.



Brisbane • Sydney • Melbourne • Hobart • Adelaide • Perth • Auckland

For more info please contact your nearest Brayco Branch 1300 272 926 | [brayco.com.au](http://brayco.com.au)