

ECONOMY ECONOMY FLAT BENCH 700mm DEEP

This 700 mm bench range is modular to the Brayco 700 mm deep sinks and splashback benches.



700 SERIES FLAT BENCH

Overall Dimensions:

600 (w) x 700 (d) x 900 mm (h)

Loading Capacity:

Top: 150kg, Undershef: 60kg

Shipping Dimensions:

Bench: 735 (w) x 655 (d) x 95mm (h)

Legs: 880 (w) x 90 (d) x 45mm (h)

Shipping Weight: 16.6 kg

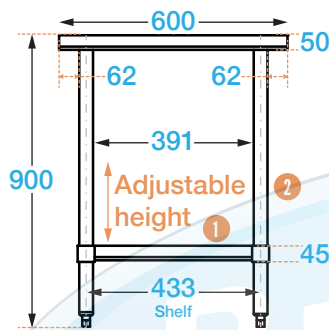
Material:

Top: 1.2 mm 430 grade stainless steel

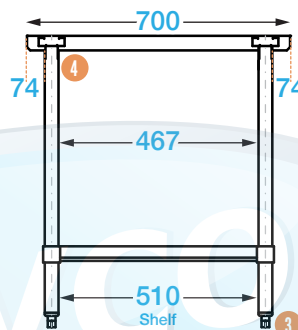
Undershef: 1.2 mm galvanised steel

Legs: 1.2 mm galvanised steel

FRONT



SIDE



COMPONENTS

- | | |
|-------------------------|----------------------------|
| ① Galvanised undershef | 1.2 mm (height adjustable) |
| ② Galvanised steel legs | Ø 42.5 mm |
| ③ Adjustable feet | Adjustable up to 20 mm |
| ④ Welded sockets | 1.2 mm |

LEG UPGRADES

- 410 Grade Stainless Legs & Feet.
- 201 Grade Stainless Legs & Feet: For extremely salty or chemical conditions. Feet adjust up to 38 mm.
- Galvanised Legs & Lockable Castors.
- 410 Grade Stainless Legs & Lockable Castors.
- 201 Grade Stainless Legs & Lockable Castors: For extremely salty or chemical conditions.
- Galvanised Legs & Screw Down Feet.
- 410 Grade Stainless Steel Legs & Screw Down Feet: Adjustable up to 20 mm.
- 201 Grade Stainless Steel Legs & Screw Down Feet: Adjustable up to 20 mm.

304 vs 430 Stainless Steel

430 grade stainless steel benches offer a cost-effective alternative to the 304 grade. They provide durability but have slightly reduced corrosion resistance, making them a practical, budget-friendly choice for non-commercial purposes.

304 grade stainless steel benches are the preferred choice for professions in the catering industry who require an impervious, or non porous food preparation surface.

Brayco highly recommends seeking guidance from your local health authority to ensure compliance with the regulations for food establishments and equipment.

PRODUCT CODE: ECO6070

Brayco Stainless Steel is made from 95% recycled materials

FEATURES AND BENEFITS

- Adjustable Height Undershef.
- 430 Grade Stainless Steel Top.
- Supplied Flat Pack: Simple assembly required.
- Construction: 430 grade stainless steel bench top with galvanised round legs and undershef.
- Adjustable Feet: Supplied attached to leg. See additional items below for upgrade options.

ADDITIONAL ITEMS

- 430 Grade Stainless Undershef: For extremely salty or chemical conditions.
- Leg Brace Rail Kit: Remove the undershef and add a rail kit for extra strength. Allows for extra storage such as a dishwasher, washing machine, etc.
- Leg attachments: Enclose your bench by attaching panels.
- Overshelves: 2 tier overshelves sit on top of your bench.
- Extra shelves also available



It is important that your stainless steel is kept clean to extend the lifetime of the product.



Brisbane • Sydney • Melbourne • Hobart • Adelaide • Perth • Auckland
For more info please contact your nearest Brayco Branch 1300 272 926 | brayco.com.au