


ECONOMY FLAT BENCH 610mm DEEP

 This 610 mm bench range is modular to the Brayco 610 mm deep sinks and splashback benches.



610 SERIES FLAT BENCH

Overall Dimensions:

1600 (w) x 610 (d) x 900 mm (h)

Loading Capacity:

Top: 210kg, Undershelf: 100kg

Shipping Dimensions:

1645 (w) x 655 (d) x 95mm (h)

Shipping Weight: 30.1kg

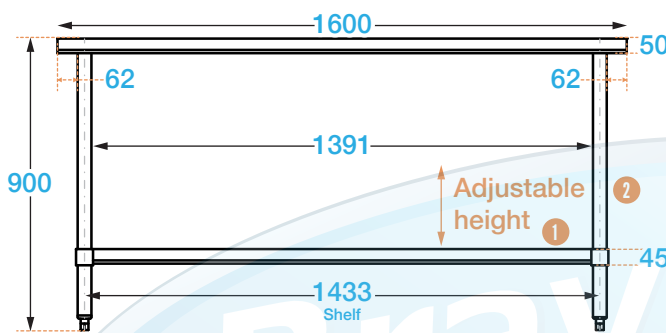
Material:

Top: 1.2 mm 430 grade stainless steel

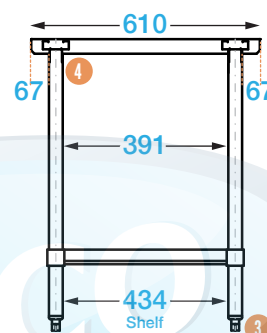
Undershelf: 1.2 mm galvanised steel

Legs: 1.2 mm galvanised steel


FRONT



SIDE



PRODUCT CODE: ECO16061

 Brayco Stainless Steel is made from 95% recycled materials

FEATURES AND BENEFITS

- Adjustable Height Undershelf.
- 430 Grade Stainless Steel Top.
- Supplied Flat Pack: Simple assembly required.
- Construction: 430 grade stainless steel bench top with galvanised round legs and undershelf.
- Adjustable Feet: Supplied attached to leg. See additional items below for upgrade options.

COMPONENTS

- | | |
|-------------------------|----------------------------|
| ① Galvanised undershelf | 1.2 mm (height adjustable) |
| ② Galvanised steel legs | Ø 42.5 mm |
| ③ Adjustable feet | Adjustable up to 20 mm |
| ④ Welded sockets | 1.2 mm |

LEG UPGRADES

- 410 Grade Stainless Legs & Feet.
- 201 Grade Stainless Legs & Feet: For extremely salty or chemical conditions. Feet adjust up to 38 mm.
- Galvanised Legs & Lockable Castors.
- 410 Grade Stainless Legs & Lockable Castors.
- 201 Grade Stainless Legs & Lockable Castors: For extremely salty or chemical conditions.
- Galvanised Legs & Screw Down Feet.
- 410 Grade Stainless Steel Legs & Screw Down Feet: Adjustable up to 20 mm.
- 201 Grade Stainless Steel Legs & Screw Down Feet: Adjustable up to 20 mm.

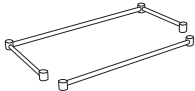


304 vs 430 Stainless Steel

430 grade stainless steel benches offer a cost-effective alternative to the 304 grade. They provide durability but have slightly reduced corrosion resistance, making them a practical, budget-friendly choice for non-commercial purposes.

304 grade stainless steel benches are the preferred choice for professions in the catering industry who require an impervious, or non porous food preparation surface.

Brayco highly recommends seeking guidance from your local health authority to ensure compliance with the regulations for food establishments and equipment.

ADDITIONAL ITEMS

- 430 Grade Stainless Undershelf: For extremely salty or chemical conditions.
- Leg Brace Rail Kit:  Remove the undershelf and add a rail kit for extra strength. Allows for extra storage such as a dishwasher, washing machine, etc.
- Leg attachments:  Enclose your bench by attaching panels.
- Overshelves: 2 tier overshelves sit on top of your bench. 
- Extra shelves also available



It is important that your stainless steel is kept clean to extend the lifetime of the product.



Brisbane • Sydney • Melbourne • Hobart • Adelaide • Perth • Auckland

For more info please contact your nearest Brayco Branch 1300 272 926 | brayco.com.au