

# ECONOMY 430 GRADE FOLDING BENCH



## 610 SERIES FOLDING BENCH

### Overall Dimensions:

1524 (w) x 610 (d) x 900 mm (h)

**Loading Capacity:** 100kg

### Shipping Dimensions:

1245 (w) x 655 (d) x 95mm (h)

**Shipping Weight:** 19.5kg


### Material:

Top: 1.2 mm 430 Grade Stainless Steel

Legs: 201 Grade Stainless Steel

### PRODUCT CODE:

ECO1200FOLD

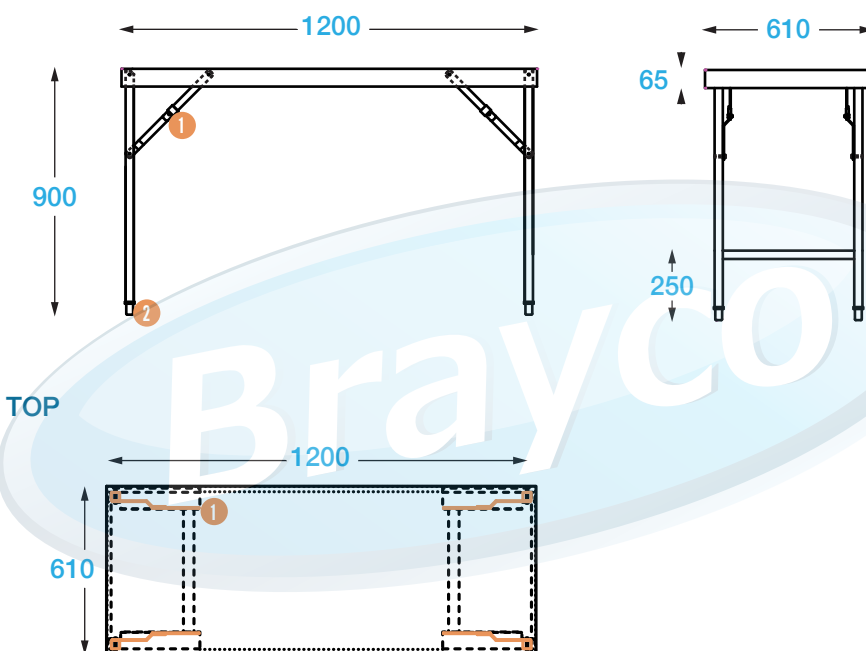
 Brayco Stainless Steel is made from 95% recycled materials

### FEATURES AND BENEFITS

- High Grade Stainless Steel.
- Supplied Fully Assembled.
- Construction: 430 grade stainless steel bench top with 201 grade stainless round legs.
- Adjustable Feet.

FRONT

SIDE



### COMPONENTS

- 1 Folding legs  
Easy lock and release catch
- 2 Adjustable feet  
Adjustable up to 14 mm

### 304 vs 430 Stainless Steel

430 grade stainless steel benches offer a cost-effective alternative to the 304 grade. They provide durability but have slightly reduced corrosion resistance, making them a practical, budget-friendly choice for non-commercial purposes.

304 grade stainless steel benches are the preferred choice for professions in the catering industry who require an impervious, or non porous food preparation surface.

Brayco highly recommends seeking guidance from your local health authority to ensure compliance with the regulations for food establishments and equipment.



Brisbane • Sydney • Melbourne • Hobart • Adelaide • Perth • Auckland  
For more info please contact your nearest Brayco Branch 1300 272 926 | [brayco.com.au](http://brayco.com.au)