

# SINK BRACKET - WALL FIXTURE



## SINK BRACKET

### Overall Dimensions:

150 (w) x 160 (l) x 265 mm (h)

### Shipping Dimensions:


230 x 160 x 50mm

### Shipping Weight: 0.3kg

**Material:** 1.5 mm 304 grade stainless steel.

### PRODUCT CODE:

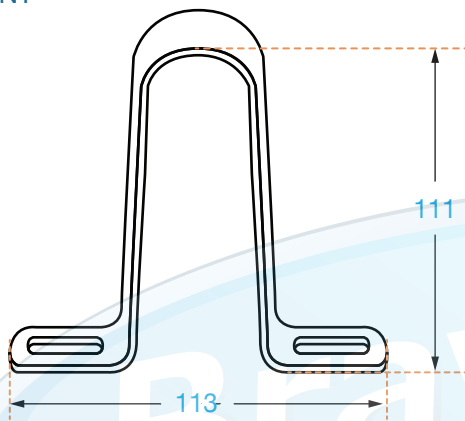
BRAC-SINKWALLX2

 Brayco Stainless Steel is made from 95% recycled materials

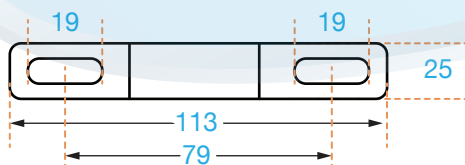
### FEATURES AND BENEFITS

- Designed to allow your Brayco sink to sit against the wall and for this bracket to then fit around the leg and sit against the wall.
- Wall fixings not supplied. Type of wall fixing used will depend on the material of your wall.

FRONT

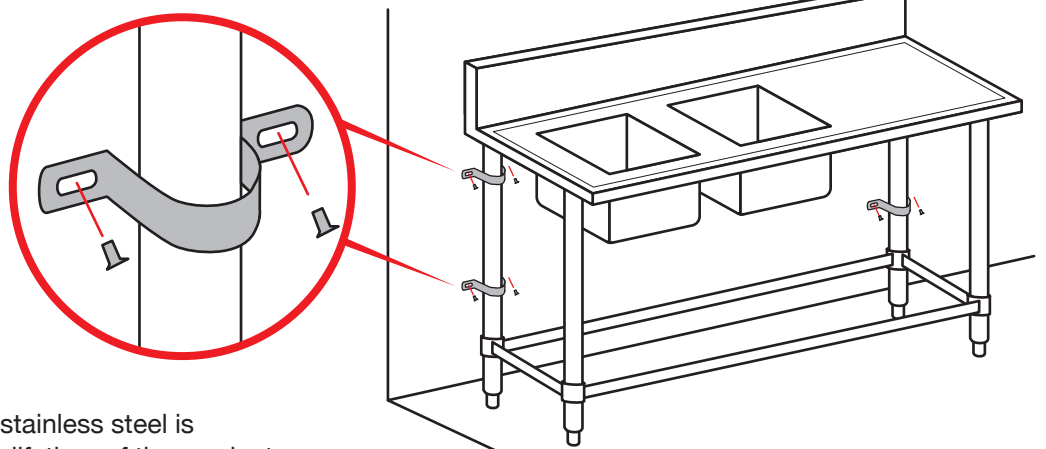



BOTTOM



### This bracket will NOT fit below:

- Dishwash inlet & outlet benches
- 762mm deep flat benches
- 700mm deep splashback benches
- 700mm deep economy flat benches
- 700mm deep economy splashback benches



 It is important that your stainless steel is kept clean to extend the lifetime of the product.



Brisbane • Sydney • Melbourne • Hobart • Adelaide • Perth • Auckland  
For more info please contact your nearest Brayco Branch 1300 272 926 | [brayco.com.au](http://brayco.com.au)