

# SPLASHBACK BENCH 700mm DEEP



This 700 mm splashback bench range is modular to the Brayco 700 mm deep sink and cabinet.

## 700 SERIES SPLASHBACK BENCH

**Overall Dimensions:**

900 (w) x 700 (d) x 900 mm (h)

**Splashback Height:** 150 mm

**Loading Capacity:**

Top: 200kg, Undershelf: 80kg

**Shipping Dimensions:**

Bench: 945 (w) x 745 (d) x 250mm (h)

Legs: 880 (w) x 90 (d) x 45mm (h)

**Shipping Weight:** 19.8kg

**Material:**

Top: 1.2 mm 304 stainless steel

Undershelf: 1.2 mm galvanised steel

Legs: 410 grade 42.5 mm diameter stainless steel

**PRODUCT CODE:** 90070SP



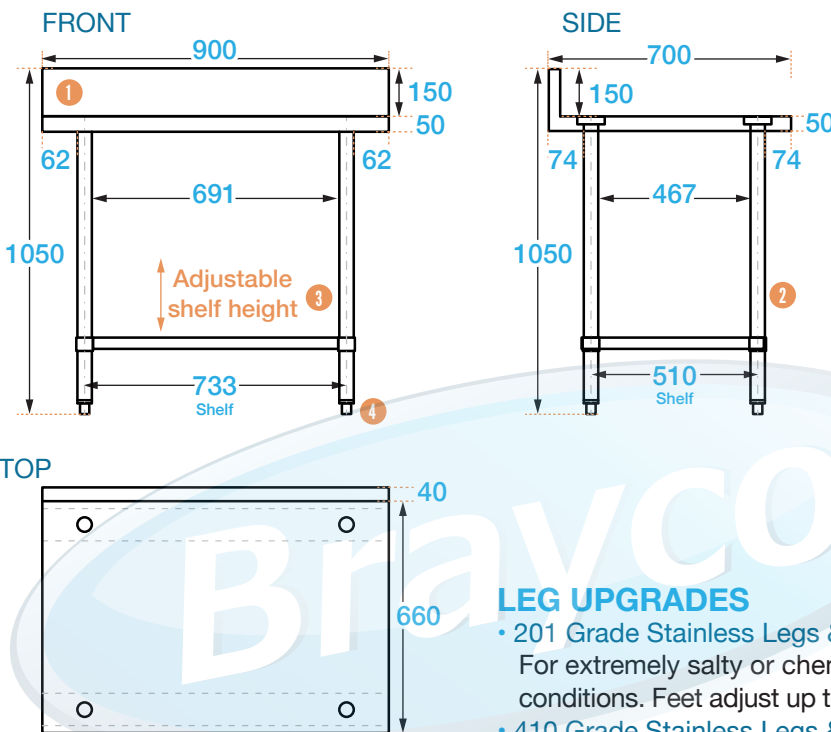
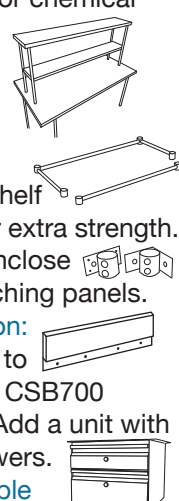
Brayco Stainless Steel is made from 95% recycled materials

### FEATURES AND BENEFITS

- Adjustable Height Undershelf.
- High Grade Stainless Steel Top.
- Supplied Flat Pack: Simple assembly required.
- Construction: Our units are fully stainless steel with round legs.
- Adjustable Feet: Supplied attached to leg. See additional items below for upgrade options.

### ADDITIONAL ITEMS

- 430 Grade Stainless Undershelf: For extremely salty or chemical conditions.
- Overshelves: 2 tier overshelves sit on top of bench.
- Leg Brace Rail Kit: Remove the undershelf and add a rail kit for extra strength.
- Leg attachments: Enclose your bench by attaching panels.
- Splashback Extension: Convert your bench to a corner unit. Code: CSB700
- Lockable Drawers: Add a unit with 1 or 2 lockable drawers.
- Extra shelves available



### LEG UPGRADES

- 201 Grade Stainless Legs & Feet: For extremely salty or chemical conditions. Feet adjust up to 38 mm.
- 410 Grade Stainless Legs & Lockable Castors
- 201 Grade Stainless Legs & Lockable Castors: For extremely salty or chemical conditions.
- 410 Grade Stainless Steel Legs & Screw Down Feet: Adjustable up to 20 mm.
- 201 Grade Stainless Steel Legs & Screw Down Feet: Adjustable up to 20 mm.

### COMPONENTS

- 1 Splashback  
150 mm (high), 40 mm (deep)
- 2 Legs  
Ø 42.5 mm
- 3 Undershelf  
1.2 mm (adjustable height)
- 4 Adjustable feet  
Feet adjust up to 18 mm



It is important that your stainless steel is kept clean to extend the lifetime of the product.



Brisbane • Sydney • Melbourne • Hobart • Adelaide • Perth • Auckland

For more info please contact your nearest Brayco Branch 1300 272 926 | brayco.com.au