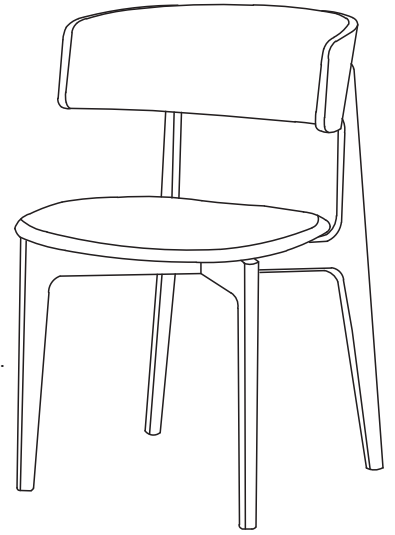


BASIL

Lucio

Assembly Instructions Basil Chair



Before assembly please check you have all parts listed below.

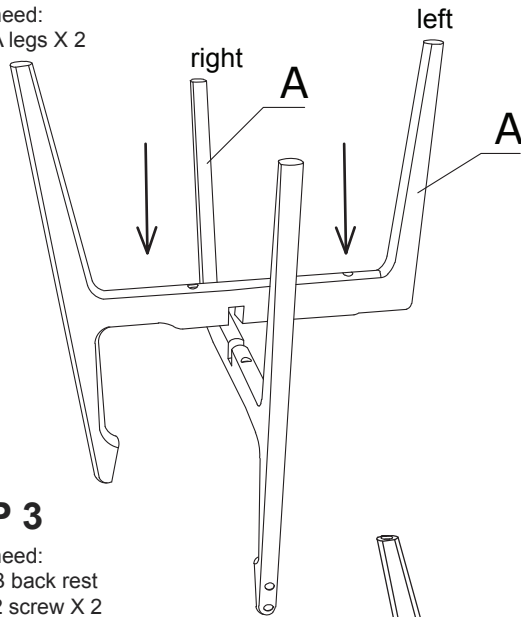
Please assemble on a clean and flat surface, such as carpet or cardboard to prevent scratches (do not assemble on your floor). PLEASE NOTE: We've tried to make this chair as easy to assemble as possible. In the unlikely event you have problems putting it together or missing pieces, please contact us. Details below.

PARTS LIST

A legs right left X 2	B chair back X 1	1 JCBC SCREW M6 X 70MM (RB) X 4	2 JCBC SCREW M6 X 40MM (RB) X 2	3 JCBC SCREW M6 X 30MM (RB) X 2	4 SPRING WASHER 5/16" (RB) X 8
	C seat X 1	5 FLAT WASHER 6 x 13MM (RB) X 8	6 ALLEN KEY M4 (BALL SHAPE) X 1	7 WOOD BUTTON X 4	8 Foot X 4

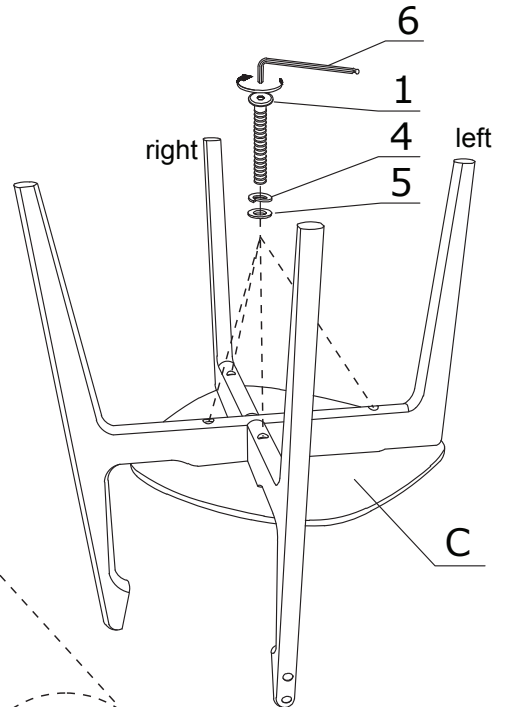
STEP 1

You will need:
part no. A legs X 2



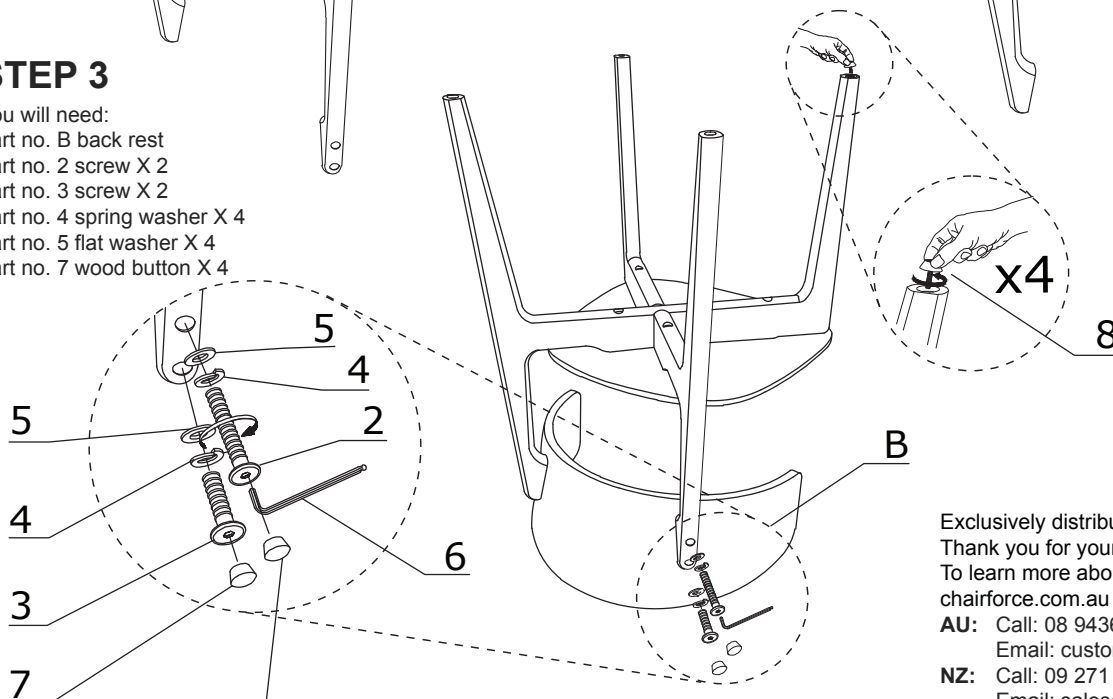
STEP 2

You will need:
part no. C seat
part no. 1 screw X 4
part no. 4 screw X 4
part no. 5 screw X 4



STEP 3

You will need:
part no. B back rest
part no. 2 screw X 2
part no. 3 screw X 2
part no. 4 spring washer X 4
part no. 5 flat washer X 4
part no. 7 wood button X 4



Please recycle these instructions

Exclusively distributed in AU and NZ by Chairforce.
Thank you for your purchase.
To learn more about our products please visit chairforce.com.au or chairforce.co.nz
AU: Call: 08 9436 8570
Email: customer@brayco.com.au
NZ: Call: 09 271 5000
Email: sales@chairforce.co.nz