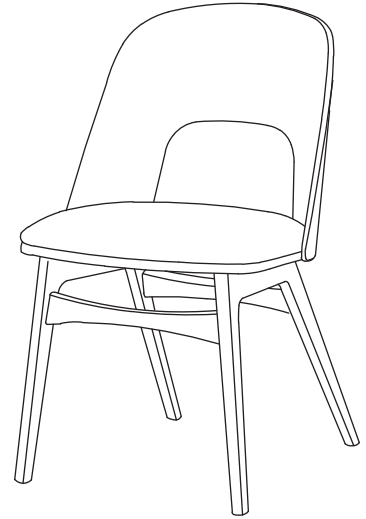


DION

# Lucio

## Assembly Instructions Dion Chair



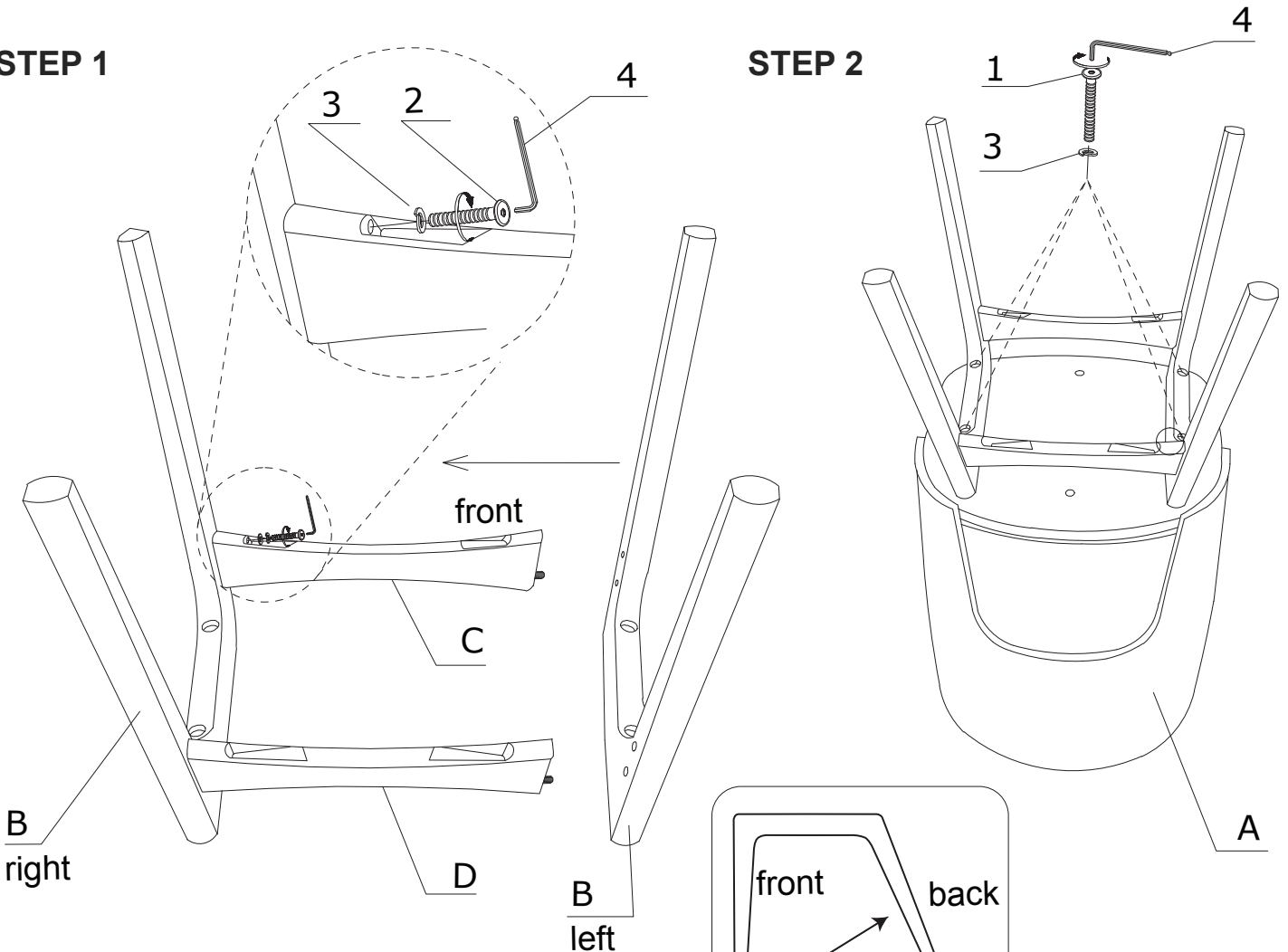
Before assembly please check you have all parts listed below.  
Please assemble on a clean and flat surface, such as carpet or cardboard to prevent scratches (do not assemble on your floor). PLEASE NOTE: We've tried to make this chair as easy to assemble as possible. In the unlikely event you have problems putting it together or missing pieces, please contact us. Details below.

### PARTS LIST

<b>A frame</b>  X 1	<b>B legs</b> right left  X 2	<b>C front rail (long)</b>  X 1	<b>1 JCBC SCREW</b> M6 X 70MM (RB)  X 4	<b>2 JCBC SCREW</b> M6 X 50MM (RB)  X 4
		<b>D back rail (short)</b>  X 1	<b>3 SPRING WASHER</b> 5/16" (RB)  X 8	<b>4 ALLEN KEY (BALL SHAPE)</b>  X 1

### STEP 1

### STEP 2



Exclusively distributed in AU and NZ by Chairforce.  
Thank you for your purchase. To learn more about our products please visit [www.chairforce.com.au](http://www.chairforce.com.au) and [www.chairforce.co.nz](http://www.chairforce.co.nz)

**AU:** Call: 08 9436 8570 Email: [customer@brayco.com.au](mailto:customer@brayco.com.au)  
**NZ:** Call: 09 271 5000 Email: [sales@chairforce.co.nz](mailto:sales@chairforce.co.nz)



Please recycle these instructions