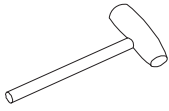


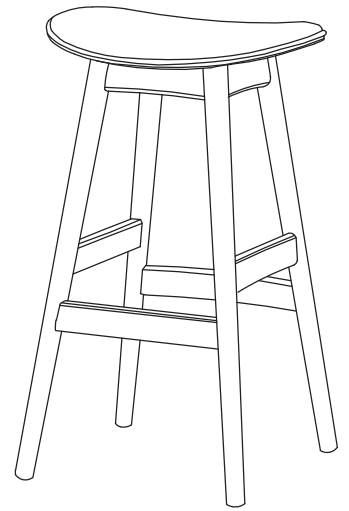
MILOSBS

You will also need a rubber mallet



Lucio

Assembly Instructions Milos Stool



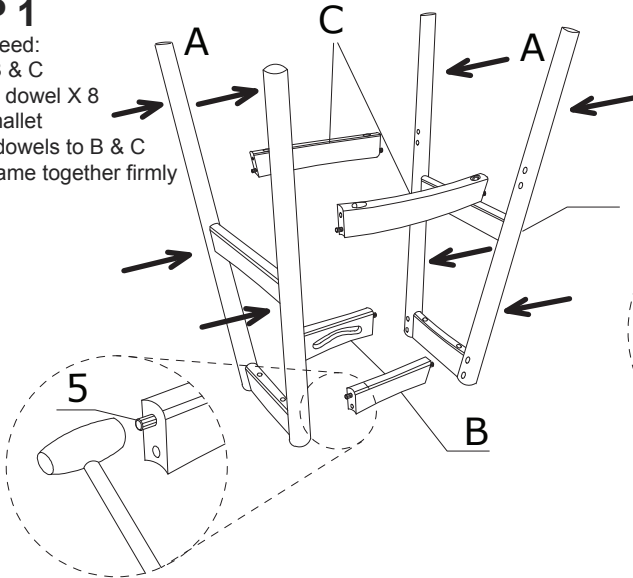
Before assembly please check you have all parts listed below.
Please assemble on a clean and flat surface, such as carpet or cardboard to prevent scratches
(do not assemble on your floor). PLEASE NOTE: We've tried to make this stool as easy to assemble as possible.
In the unlikely event you have problems putting it together or missing pieces, please contact us. Details below.

PARTS LIST

A legs X 2	B seat support rails (short) X 2	1 JCBC SCREW M6 X 50MM (RB) X 8	2 JCBC SCREW M6 X 40MM (RB) X 4	3 SPRING WASHER (RB) X 12	
	C footrest rails (long) X 2	4 SCREW PIN X 4	5 WOOD DOWEL M10 X 30MM X 8	6 ALLEN KEY M4 (BALL SHAPE) X 1	
	D seat X 1				

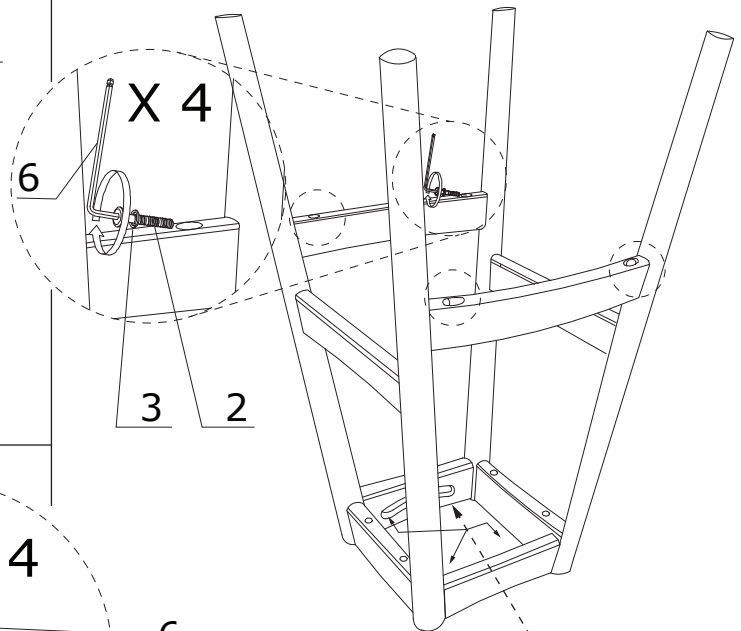
STEP 1

You will need:
parts A, B & C
part no. 5 dowel X 8
Rubber mallet
a. Attach dowels to B & C
b. Push frame together firmly



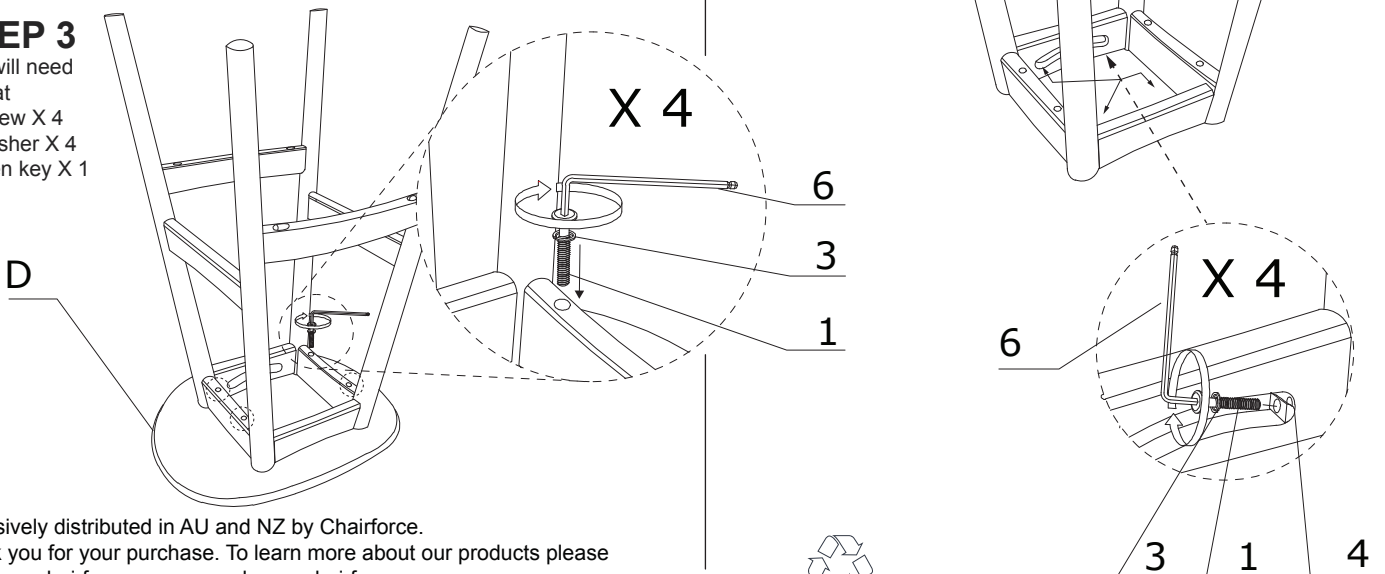
STEP 2

You will need: part no. 1 Screw X 4
part no. 2 Screw X 4
part no. 3 Washer X 8
part no. 4 Screw pin X 4
part no. 6 Allen key X 1



STEP 3

You will need
D seat
1 Screw X 4
3 Washer X 4
6 Allen key X 1



Exclusively distributed in AU and NZ by Chairforce.
Thank you for your purchase. To learn more about our products please
visit www.chairforce.com.au and www.chairforce.co.nz

AU: Call: 08 9436 8570

Email: customercare@brayco.com.au

NZ: Call: 09 271 5000

Email: sales@chairforce.co.nz



Please recycle
these instructions