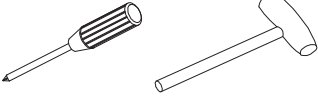


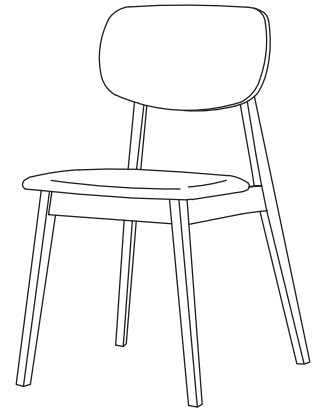
AITHAN

You will also need a rubber mallet and crosshead screwdriver



Lucio

Assembly Instructions Aithan Chair



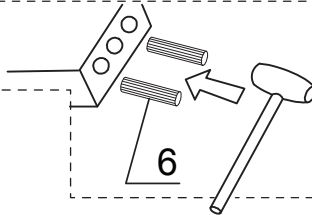
Before assembly please check you have all parts listed below.
Please assemble on a clean and flat surface, such as carpet or cardboard to prevent scratches (do not assemble on your floor). PLEASE NOTE: We've tried to make this chair as easy to assemble as possible. In the unlikely event you have problems putting it together or missing pieces, please contact us. Details below.

PARTS LIST

ASSEMBLY TIP: Assemble complete frame with loosely tightened screws. This allows for adjustments before tightening all screws firmly.

A legs left & right 	B backrest X 1	1 JCBC SCREW M6 X 45MM (RB) X 6	2 JCBC SCREW M6 X 35MM (RB) X 2	3 JCBC SCREW M6 X 20MM (RB) X 2
	C seat X 1	4 SPRING WASHER 5/16" (RB) X 6	5 SCREW PIN X 6	6 WOOD DOWEL 10 X 30MM X 6
D rail 	BACK RAIL X 1 	8 ALLEN KEY (BALL SHAPE) X 1	9 WOOD BUTTON (BIG) X 4	
right left 	FRONT RAIL X 1 			

STEP 1 Attach dowels x 4 to back rail (D), and attach dowels x 2 to front rail (D)



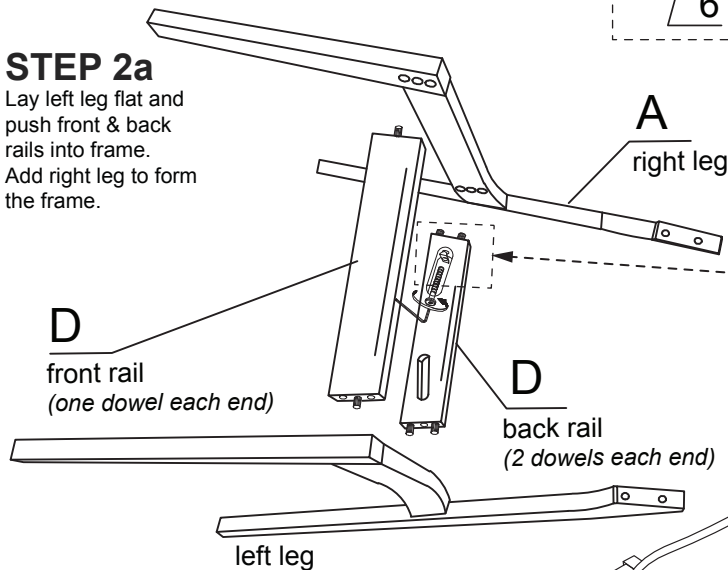
BACK RAIL
attach 4 dowels

FRONT RAIL
attach 2 dowels

NB ARROW STICKERS
indicate rail position

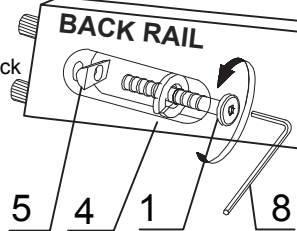
STEP 2a

Lay left leg flat and push front & back rails into frame. Add right leg to form the frame.



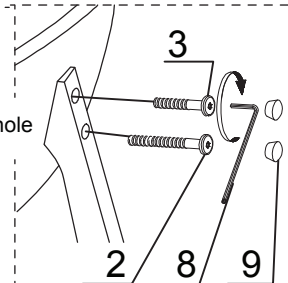
STEP 2b

Use parts 1, 4 & 5 to secure back rail to frame.



STEP 3

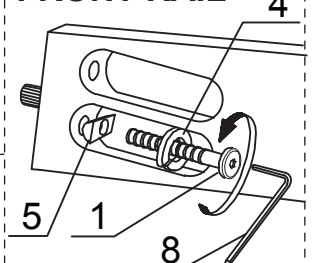
Please use:
No.3 screw in top hole
No.2 screw for the bottom hole



STEP 4

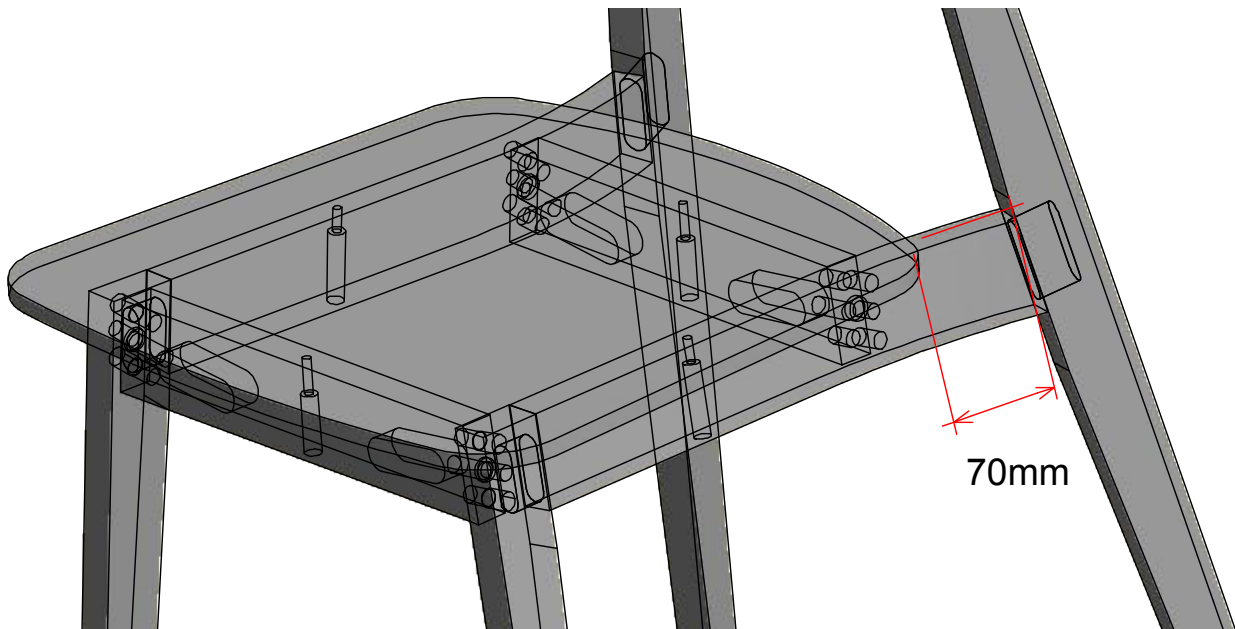
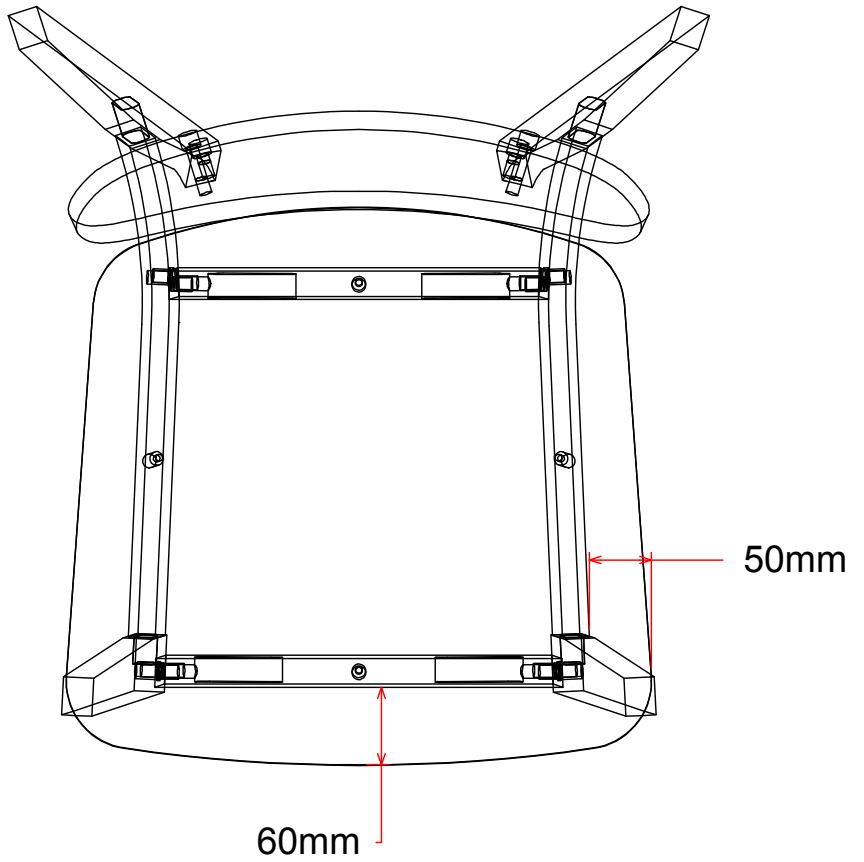
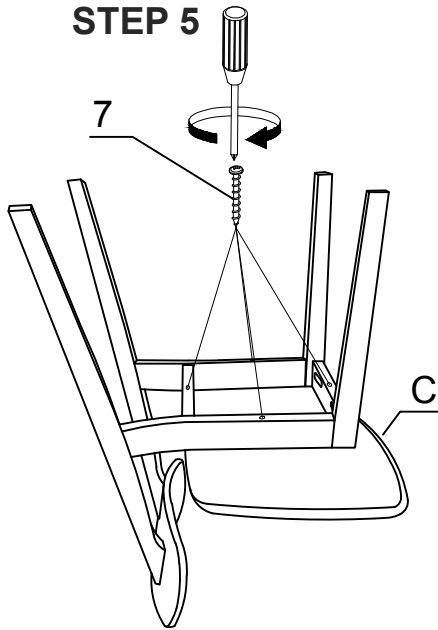
Use parts 1, 4 & 5 to secure front rails to frame.

FRONT RAIL



Assembly Instructions Aithan Chair SEAT POSITION GUIDE

STEP 5



Exclusively distributed in AU and NZ by Chairforce.

Thank you for your purchase. To learn more about our products please visit www.chairforce.com.au and www.chairforce.co.nz

AU: Call: 08 9436 8570

Email: customer@brayco.com.au

NZ: Call: 09 271 5000

Email: sales@chairforce.co.nz



Please recycle
these instructions