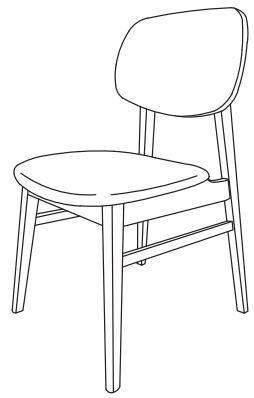


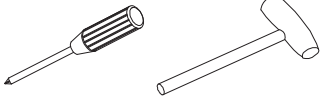
JONAS

# Lucio

## Assembly Instructions Jonas Chair

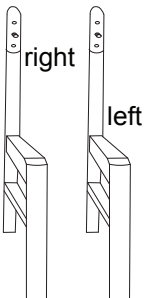

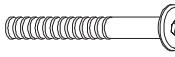
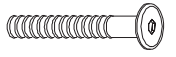
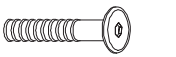
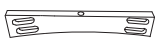
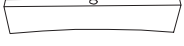







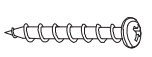


You will also need a rubber mallet and crosshead screwdriver

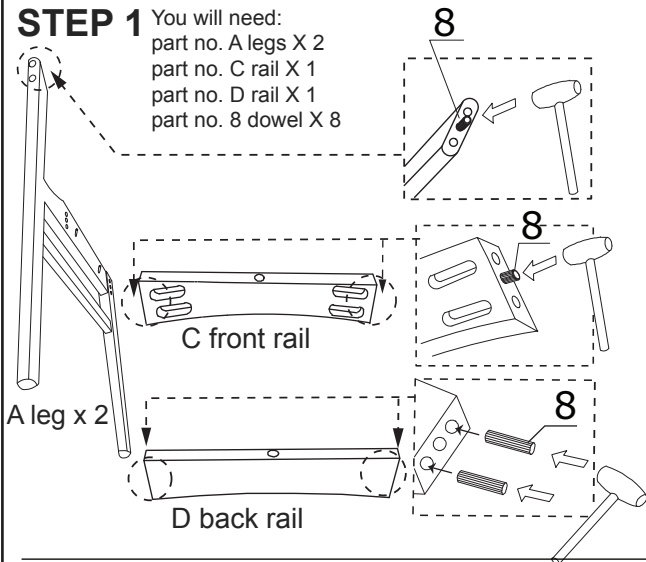


Before assembly please check you have all parts listed below.  
Please assemble on a clean and flat surface, such as carpet or cardboard to prevent scratches (do not assemble on your floor). PLEASE NOTE: We've tried to make this chair as easy to assemble as possible. In the unlikely event you have problems putting it together or missing pieces, please contact us. Details below.

### PARTS LIST

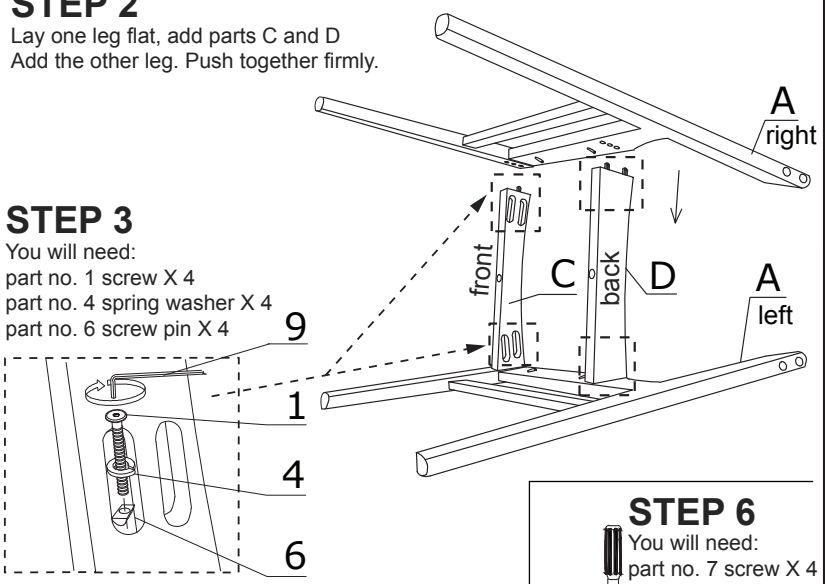
<b>A legs left &amp; right</b>  right left X 2	<b>B backrest</b>  X 1	<b>1 JCBC SCREW</b> M6 X 50MM (RB)  X 8	<b>2 JCBC SCREW</b> M6 X 40MM (RB)  X 2	<b>3 JCBC SCREW</b> M6 X 30MM (RB)  X 2	
	<b>C front rail</b>  X 1	<b>D back rail</b>  X 1	<b>4 SPRING WASHER</b> 5/16" (RB)  X 12	<b>5 FLAT WASHER</b> 6 X 13MM  X 6	<b>6 SCREW PIN</b>  X 6
	<b>E seat</b>  X 1	<b>8 WOOD DOWEL</b> M10 X 30MM  X 8	<b>9 ALLEN KEY M4 (BALL SHAPE)</b>  X 1	<b>10 WOOD BUTTON</b>  X 4	<b>7 PH SCREW</b> 5 X 32MM (BLK)  X 4

**STEP 1** You will need:  
part no. A legs X 2  
part no. C rail X 1  
part no. D rail X 1  
part no. 8 dowel X 8

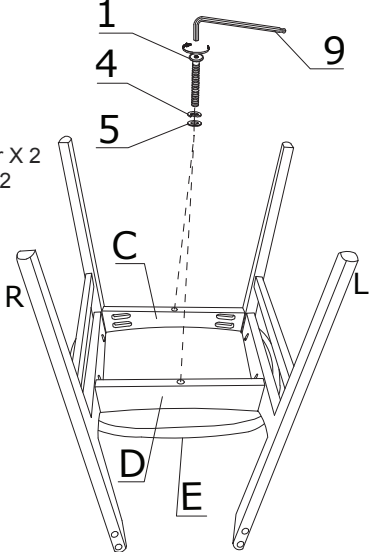


**STEP 2**  
Lay one leg flat, add parts C and D  
Add the other leg. Push together firmly.

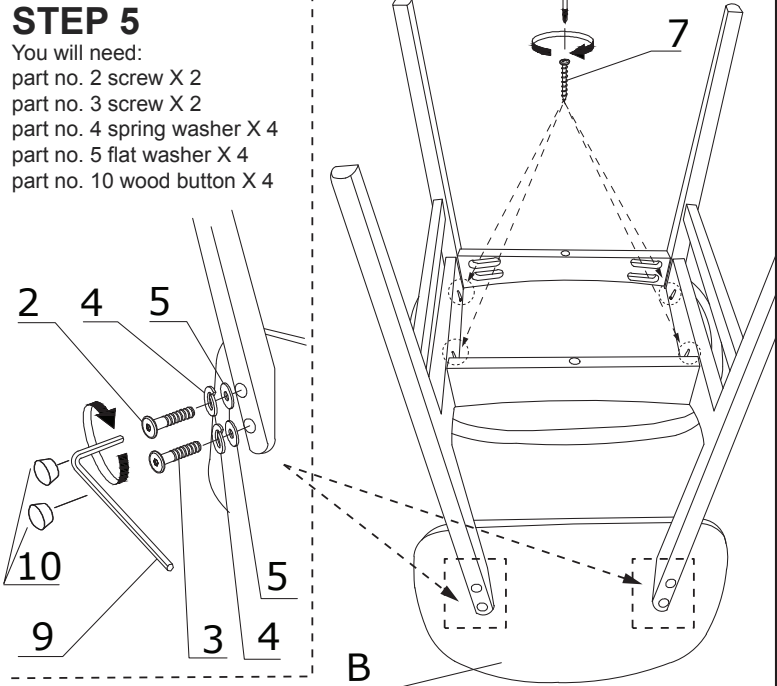
**STEP 3**  
You will need:  
part no. 1 screw X 4  
part no. 4 spring washer X 4  
part no. 6 screw pin X 4



**STEP 4**  
Screw seat to frame.  
You will need:  
part no. E seat X 1  
part no. 1 screw X 2  
part no. 4 spring washer X 2  
part no. 5 flat washer X 2



**STEP 5**  
You will need:  
part no. 2 screw X 2  
part no. 3 screw X 2  
part no. 4 spring washer X 4  
part no. 5 flat washer X 4  
part no. 10 wood button X 4



Exclusively distributed in AU and NZ by Chairforce.  
Thank you for your purchase. To learn more about our products please visit [www.chairforce.com.au](http://www.chairforce.com.au) and [www.chairforce.co.nz](http://www.chairforce.co.nz)  
**AU:** Call: 08 9436 8570 Email: [customercare@brayco.com.au](mailto:customercare@brayco.com.au)  
**NZ:** Call: 09 271 5000 Email: [sales@chairforce.co.nz](mailto:sales@chairforce.co.nz)