

# FLAT BENCHES 914mm DEEP WIDER ISLAND



## 914 SERIES FLAT BENCH

### Overall Dimensions:

2438 (w) x 914 (d) x 900 mm (h)

### Loading Capacity:

Top: 380 kg, Undershelf: 120 kg

### Shipping Dimensions:

2480 (w) x 960 (d) x 145 mm (h)

### Shipping Weight: 66.3 kg

### Material:

Top: 1.2 mm 304 grade stainless steel

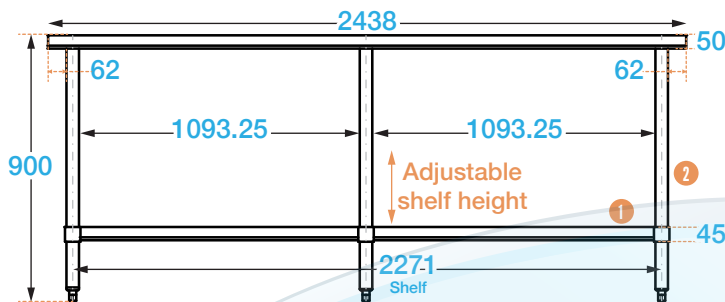
Undershelf: 1.5 mm galvanised steel

Legs: 410 grade 42.5 mm diameter

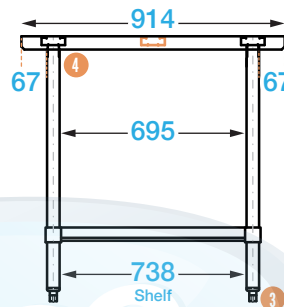
Welded stainless steel



FRONT

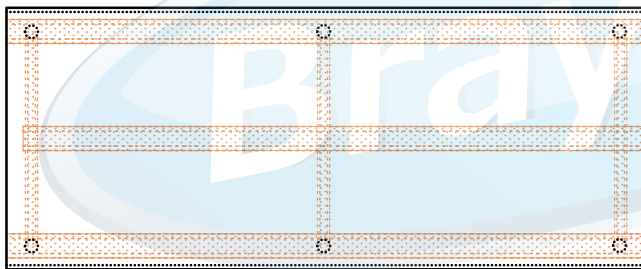


SIDE



### REINFORCED BENCH TOPS

914 mm deep benches of 914 mm to 2438 mm length feature a third bar that ensures bench top strength and stability.



### COMPONENTS

- 1 Galvanised undershelf 1.5 mm (height adjustable)
- 2 Stainless steel legs Ø 42.5 mm
- 3 Adjustable feet Adjustable up to 18 mm
- 4 Welded sockets 1.2 mm

**+** These products are compliant with all applicable Australian health department regulations.

**!** It is important that your stainless steel is kept clean to extend the lifetime of the product.

### LEG UPGRADES

- 201 Grade Stainless Legs & Feet: For extremely salty or chemical conditions. Feet adjust up to 38 mm.
- 410 Grade Stainless Legs & Lockable Castors
- 201 Grade Stainless Legs & Lockable Castors: For extremely salty or chemical conditions.
- 410 Grade Stainless Steel Legs & Screw Down Feet: Adjustable up to 20 mm.
- 201 Grade Stainless Steel Legs & Screw Down Feet: Adjustable up to 20 mm.

### PRODUCT CODES: 3696



Brayco Stainless Steel is made from 95% recycled materials

### FEATURES AND BENEFITS

- Adjustable Height Undershelf.
- High Grade Stainless Steel.
- Supplied Flat Pack: Simple assembly required.
- Construction: Our units are fully stainless steel with round legs.
- Adjustable Feet: Supplied attached to leg. See additional items below for upgrade options.

### ADDITIONAL ITEMS

- 430 Grade Stainless Undershelf: For extremely salty or chemical conditions.

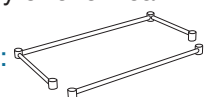
- Leg Brace Rail Kit: Remove the undershelf and add a rail kit for extra strength. Allows for extra storage such as a dishwasher, washing machine, etc.

- Lockable Drawers: Add a unit with 1 or 2 lockable drawers.

- Leg attachments: Enclose your bench by attaching panels.

- Overshelves: 2 tier overshelves sit on top of bench.

- Extra shelves also available



Brisbane • Sydney • Melbourne • Hobart • Adelaide • Perth • Auckland

For more info please contact your nearest Brayco Branch 1300 272 926 | brayco.com.au