

# SPLASHBACK BENCH 610mm DEEP



## 610 SERIES SPLASHBACK BENCH

**Overall Dimensions:**

2400 (w) x 610 (d) x 900 mm (h)

**Splashback Height:** 150 mm

**Loaing Capacity:**

Top: 380, Undershelf: 100kg

**Shipping Dimensions:**

2445 (w) x 655 (d) x 250mm (h)

**Shipping Weight:** 49kg

**Material:**

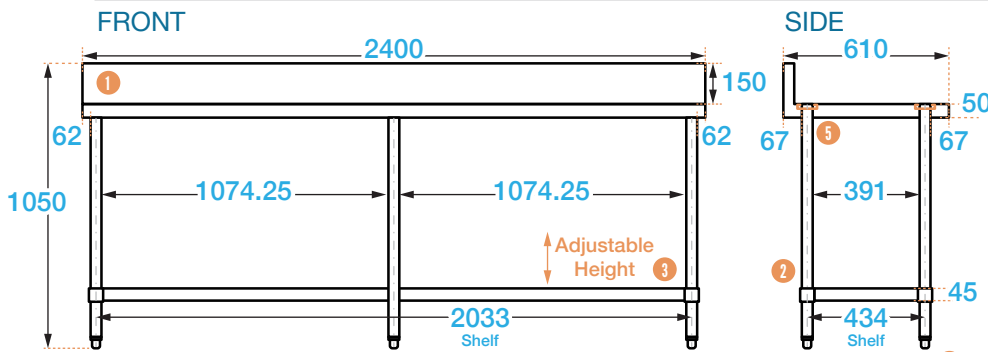
Top: 1.2 mm 304 stainless steel

Undershelf: 1.2 mm galvanised steel

Legs: 410 grade stainless steel



This 610 mm splashback bench range is modular to the Brayco 610 mm deep flat benches and cabinet.



**PRODUCT CODE:** 24061SP

Brayco Stainless Steel is made from 95% recycled materials

### FEATURES AND BENEFITS

- Adjustable Height Undershelf.
- High Grade Stainless Steel Top.
- Supplied Flat Pack: Simple assembly required.
- Construction: Our units are fully stainless steel with round legs.
- Adjustable Feet: Supplied attached to leg. See additional items below for upgrade options.

TOP



### COMPONENTS

- ① Splashback 150 mm (high), 40 mm (deep)
- ② Legs Ø 42.5 mm
- ③ Undershelf 1.2 mm, (adjustable height)
- ④ Adjustable feet Adjust up to 18 mm
- ⑤ Welded socket 1.2 mm

### LEG UPGRADES

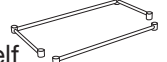
- 201 Grade Stainless Legs & Feet: For extremely salty or chemical conditions. Adjustable up to 38 mm.
- 410 Grade Stainless Legs & Lockable Castors
- 201 Grade Stainless Legs & Lockable Castors: For extremely salty or chemical conditions.
- 410 Grade Stainless Steel Legs & Screw Down Feet: Adjustable up to 20 mm.
- 201 Grade Stainless Steel Legs & Screw Down Feet: For extremely salty or chemical conditions. Adjustable up to 20 mm.

- 430 Grade Stainless Undershelf: For extremely salty or chemical conditions.

- Overshelves: 2 tier overshelves sit on top of bench.



- Leg Brace Rail Kit: Remove the undershelf and add a rail kit for extra strength.



- Leg attachments: Enclose your bench by attaching panels.
- Extra shelves also available



It is important that your stainless steel is kept clean to extend the lifetime of the product.



Brisbane • Sydney • Melbourne • Hobart • Adelaide • Perth • Auckland

For more info please contact your nearest Brayco Branch 1300 272 926 | brayco.com.au