


SPLASHBACK BENCH 610mm DEEP



 This 610 mm splashback bench range is modular to the Brayco 610 mm deep flat benches and cabinet.

610 SERIES SPLASHBACK BENCH

Overall Dimensions:

2000 (w) x 610 (d) x 900 mm (h)

Splashback Height: 150 mm

Loading Capacity:

Top: 260kg, Undershelf: 100kg

Shipping Dimensions:

2045 (w) x 655 (d) x 250mm (h)

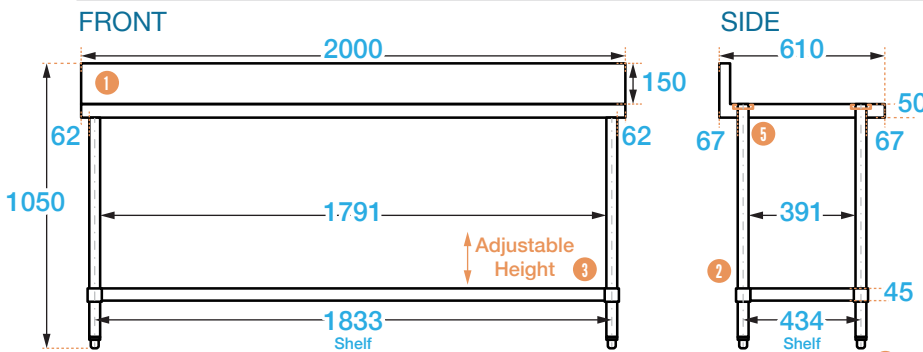
Shipping Weight: 41.8kg

Material:

Top: 1.2 mm 304 stainless steel

Undershelf: 1.2 mm galvanised steel

Legs: 410 grade stainless steel



TOP




COMPONENTS

- | | | |
|----------|-----------------|-----------------------------|
| 1 | Splashback | 150 mm (high), 40 mm (deep) |
| 2 | Legs | Ø 42.5 mm |
| 3 | Undershelf | 1.2 mm, (adjustable height) |
| 4 | Adjustable feet | Adjust up to 18 mm |
| 5 | Welded socket | 1.2 mm |

LEG UPGRADES

- 201 Grade Stainless Legs & Feet:**
For extremely salty or chemical conditions. Adjustable up to 38 mm.
- 410 Grade Stainless Legs & Lockable Castors**
- 201 Grade Stainless Legs & Lockable Castors:**
For extremely salty or chemical conditions.
- 410 Grade Stainless Steel Legs & Screw Down Feet:**
Adjustable up to 20 mm.
- 201 Grade Stainless Steel Legs & Screw Down Feet:**
For extremely salty or chemical conditions. Adjustable up to 20 mm.


PRODUCT CODE: 20061SP

 Brayco Stainless Steel is made from 95% recycled materials

FEATURES AND BENEFITS

- Adjustable Height Undershelf.
- High Grade Stainless Steel Top.
- Supplied Flat Pack: Simple assembly required.
- Construction:** Our units are fully stainless steel with round legs.
- Adjustable Feet:** Supplied attached to leg. See additional items below for upgrade options.

ADDITIONAL ITEMS

- 430 Grade Stainless Undershelf:**
For extremely salty or chemical conditions.
- Overshelves:**
2 tier overshelves sit on top of bench. 
- Leg Brace Rail Kit:**
Remove the undershelf and add a rail kit for extra strength. 
- Leg attachments:** Enclose your bench by attaching panels. 
- Extra shelves also available**



It is important that your stainless steel is kept clean to extend the lifetime of the product.



Brisbane • Sydney • Melbourne • Hobart • Adelaide • Perth • Auckland

For more info please contact your nearest Brayco Branch 1300 272 926 | brayco.com.au