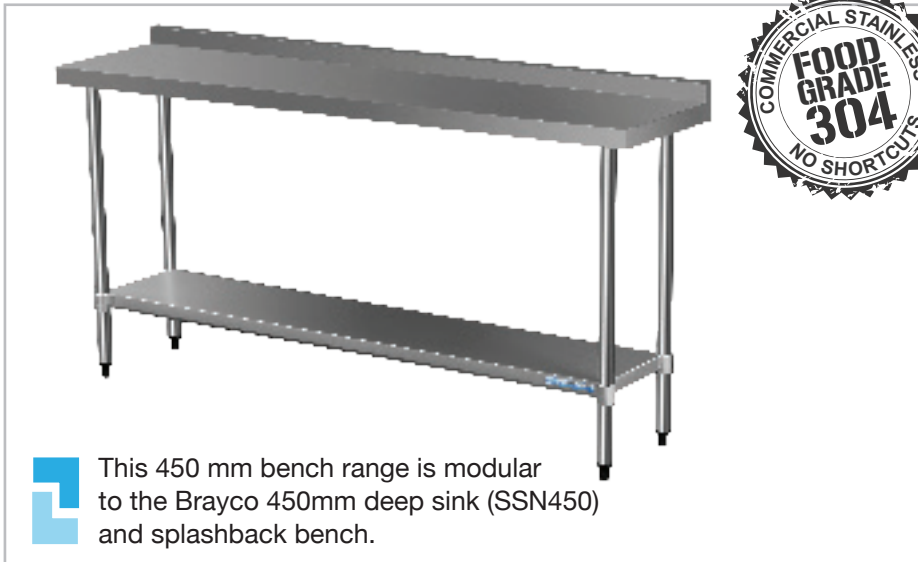



# SPLASHBACK BENCH 450mm DEEP



 This 450 mm bench range is modular to the Brayco 450mm deep sink (SSN450) and splashback bench.

## 450 SERIES SPLASHBACK BENCH

### Overall Dimensions:

1800 (w) x 450 (d) x 900 mm (h)

**Splashback Height:** 50 mm

### Loading Capacity:

Top: 200 kg, Undershelf: 60 kg

**Shipping Weight:** 45 kg

### Shipping Dimensions:

1840 (w) x 500 (d) x 150 mm (h)

### Material:


Top: 1.2 mm 304 grade stainless steel

Undershelf: 1.2 mm galvanised steel

Legs: 410 grade 42.5 mm diameter

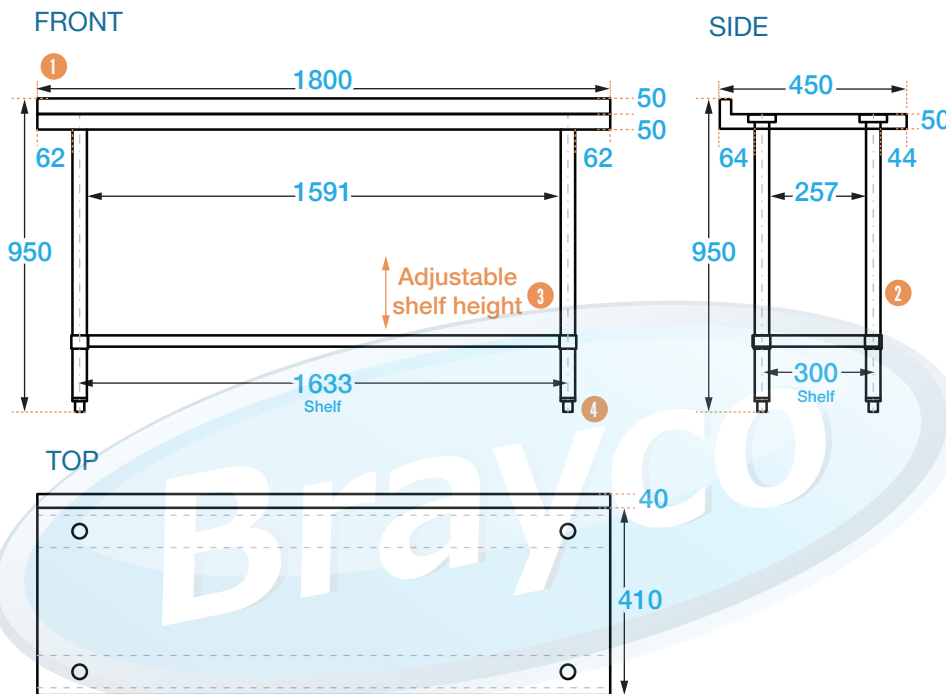
stainless steel

**PRODUCT CODE:** 18045SP

 Brayco Stainless Steel is made from 95% recycled materials

### FEATURES AND BENEFITS

- Adjustable Height Undershelf.
- High Grade Stainless Steel.
- Supplied Flat Pack: Simple assembly required.
- **Construction:** Our bench tops and legs are fully stainless steel with round legs and a galvanised undershelf.
- **Built strong:** Our benches feature 1.2 mm thick 304 grade stainless steel which is 20% thicker than some benches on the market.
- **Splashback:** 50 mm high.
- **Adjustable Feet:** Supplied attached to legs.



### COMPONENTS

- |          |                 |                            |
|----------|-----------------|----------------------------|
| <b>1</b> | Splashback      | 50 mm (high), 40 mm (deep) |
| <b>2</b> | Legs            | Ø 42.5 mm                  |
| <b>3</b> | Undershelf      | 1.5 mm (adjustable height) |
| <b>4</b> | Adjustable feet | Adjustable up to 18 mm     |

### LEGS UPGRADE

- 430 Grade Stainless Undershelf: For extremely salty or chemical conditions.
- 201 Grade Stainless Legs & Feet: For extremely salty or chemical conditions. Feet adjust up to 38 mm.
- 410 Grade Stainless Legs & Lockable Castors
- 201 Grade Stainless Legs & Lockable Castors: For extremely salty or chemical conditions.
- 410 Grade Stainless Steel Legs & Screw Down Feet: Adjustable up to 20 mm.
- 201 Grade Stainless Steel Legs & Screw Down Feet: Adjustable up to 20 mm.

 It is important that your stainless steel is kept clean to extend the lifetime of the product.



Brisbane • Sydney • Melbourne • Hobart • Adelaide • Perth • Auckland  
For more info please contact your nearest Brayco Branch 1300 272 926 | [brayco.com.au](http://brayco.com.au)