


SPLASHBACK BENCH 610mm DEEP



 This 610 mm splashback bench range is modular to the Brayco 610 mm deep flat benches and cabinet.

610 SERIES SPLASHBACK BENCH

Overall Dimensions:

1600 (w) x 610 (d) x 900 mm (h)

Splashback Height: 150 mm

Loading Capacity:

Top: 260kg, Undershef: 100kg

Shipping Dimensions:

1645 (w) x 655 (d) x 250mm (h)

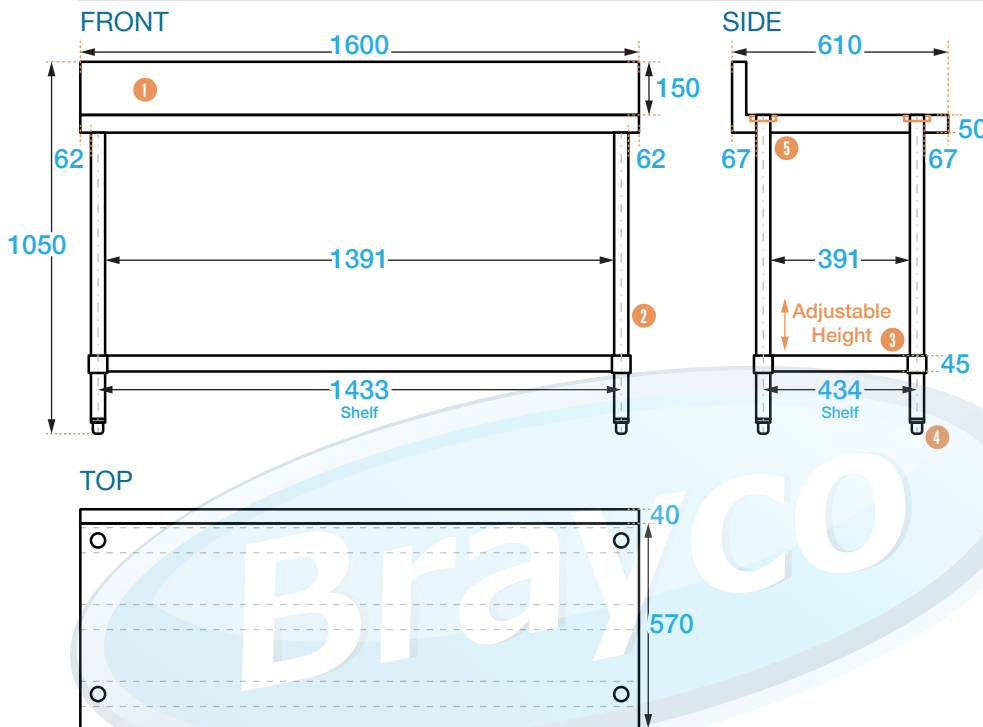
Shipping Weight: 34.5kg

Material:


Top: 1.2 mm 304 stainless steel

Undershef: 1.2 mm galvanised steel

Legs: 410 grade stainless steel



PRODUCT CODE: 16061SP

 Brayco Stainless Steel is made from 95% recycled materials

FEATURES AND BENEFITS

- Adjustable Height Undershef.
- High Grade Stainless Steel Top.
- Supplied Flat Pack: Simple assembly required.
- Construction: Our units are fully stainless steel with round legs.
- Adjustable Feet: Supplied attached to leg. See additional items below for upgrade options.

ADDITIONAL ITEMS

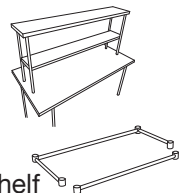
• **430 Grade Stainless Undershef:** For extremely salty or chemical conditions.

• **Overshelves:** 2 tier overshelves sit on top of bench.

• **Leg Brace Rail Kit:** Remove the undershef and add a rail kit for extra strength.

• **Leg attachments:** Enclose your bench by attaching panels.

• **Extra shelves also available**




COMPONENTS

- ① Splashback 150 mm (high), 40 mm (deep)
- ② Legs Ø 42.5 mm
- ③ Undershef 1.2 mm, (adjustable height)
- ④ Adjustable feet Adjust up to 18 mm
- ⑤ Welded socket 1.2 mm

LEG UPGRADES

- **201 Grade Stainless Legs & Feet:** For extremely salty or chemical conditions. Adjustable up to 38 mm.
- **410 Grade Stainless Legs & Lockable Castors**
- **201 Grade Stainless Legs & Lockable Castors:** For extremely salty or chemical conditions.
- **410 Grade Stainless Steel Legs & Screw Down Feet:** Adjustable up to 20 mm.
- **201 Grade Stainless Steel Legs & Screw Down Feet:** For extremely salty or chemical conditions. Adjustable up to 20 mm.

 It is important that your stainless steel is kept clean to extend the lifetime of the product.



Brisbane • Sydney • Melbourne • Hobart • Adelaide • Perth • Auckland

For more info please contact your nearest Brayco Branch 1300 272 926 | brayco.com.au