

# SPLASHBACK BENCH 610mm DEEP



This 610 mm splashback bench range is modular to the Brayco 610 mm deep flat benches and cabinet.

## 610 SERIES SPLASHBACK BENCH

### Overall Dimensions:

1500 (w) x 610 (d) x 900 mm (h)

**Splashback Height:** 150 mm

### Loading Capacity:

Top: 260kg, Undershef: 100kg

### Shipping Dimensions:

1545 (w) x 655 (d) x 250mm (h)

**Shipping Weight:** 31.1kg


### Material:

Top: 1.2 mm 304 stainless steel

Undershef: 1.2 mm galvanised steel

Legs: 410 grade stainless steel


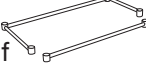
**PRODUCT CODE:** 15061SP

 Brayco Stainless Steel is made from 95% recycled materials

### FEATURES AND BENEFITS

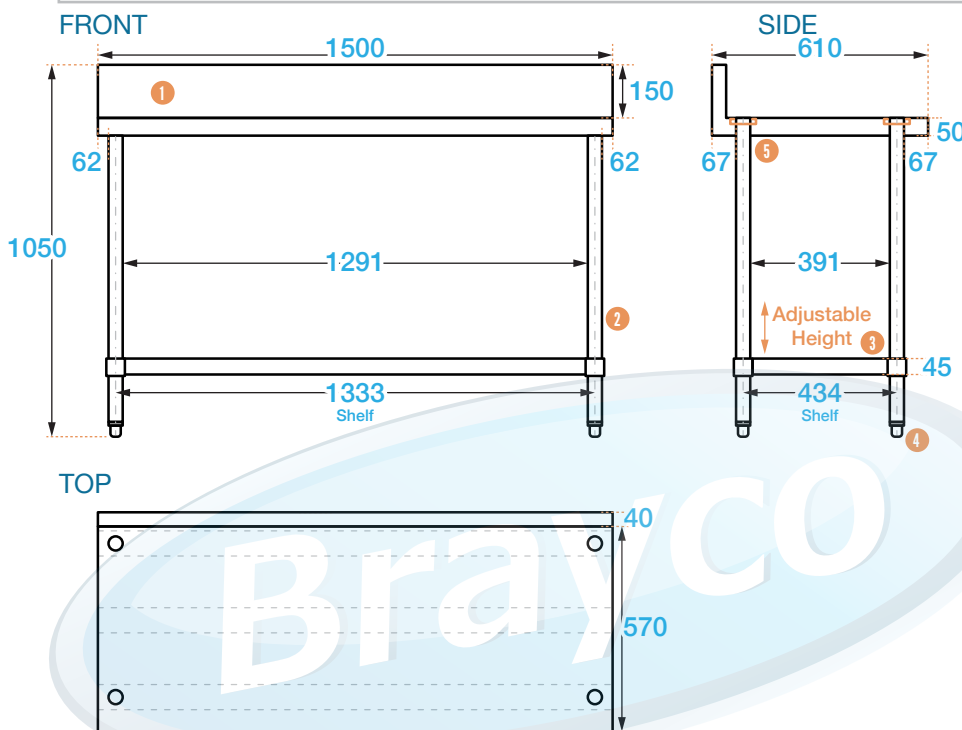
- Adjustable Height Undershef.
- High Grade Stainless Steel Top.
- Supplied Flat Pack: Simple assembly required.
- Construction: Our units are fully stainless steel with round legs.
- Adjustable Feet: Supplied attached to leg. See additional items below for upgrade options.

### ADDITIONAL ITEMS

- **430 Grade Stainless Undershef:** For extremely salty or chemical conditions.
- **Overshelves:** 2 tier overshelves sit on top of bench. 
- **Leg Brace Rail Kit:** Remove the undershef and add a rail kit for extra strength. 
- **Leg attachments:** Enclose your bench by attaching panels. 
- **Extra shelves also available**



It is important that your stainless steel is kept clean to extend the lifetime of the product.



### COMPONENTS

- |   |                 |                             |
|---|-----------------|-----------------------------|
| ① | Splashback      | 150 mm (high), 40 mm (deep) |
| ② | Legs            | Ø 42.5 mm                   |
| ③ | Undershef       | 1.2 mm, (adjustable height) |
| ④ | Adjustable feet | Adjust up to 18 mm          |
| ⑤ | Welded socket   | 1.2 mm                      |

### LEG UPGRADES

- **201 Grade Stainless Legs & Feet:** For extremely salty or chemical conditions. Adjustable up to 38 mm.
- **410 Grade Stainless Legs & Lockable Castors**
- **201 Grade Stainless Legs & Lockable Castors:** For extremely salty or chemical conditions.
- **410 Grade Stainless Steel Legs & Screw Down Feet:** Adjustable up to 20 mm.
- **201 Grade Stainless Steel Legs & Screw Down Feet:** For extremely salty or chemical conditions. Adjustable up to 20 mm.



**Brisbane • Sydney • Melbourne • Hobart • Adelaide • Perth • Auckland**

For more info please contact your nearest Brayco Branch 1300 272 926 | [brayco.com.au](http://brayco.com.au)