

# SPLASHBACK BENCH 450mm DEEP



This 450 mm bench range is modular to the Brayco 450mm deep sink (SSN450) and splashback bench.

## 450 SERIES SPLASHBACK BENCH

### Overall Dimensions:

1500 (w) x 450 (d) x 900 mm (h)

**Splashback Height:** 50 mm

### Loading Capacity:

Top: 200 kg, Undershelf: 60 kg

**Shipping Weight:** 35 kg

### Shipping Dimensions:

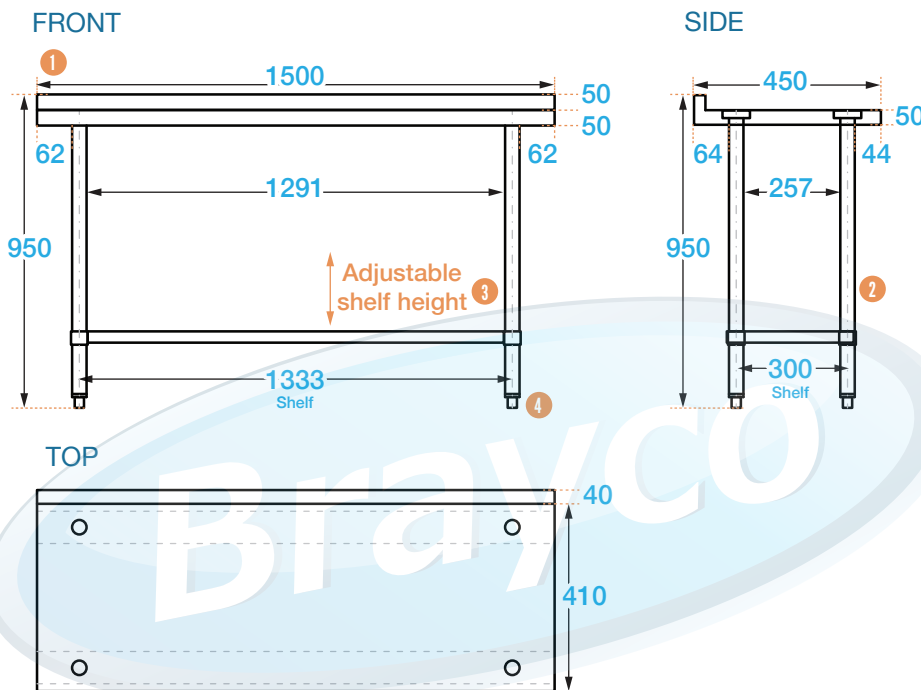
1540 (w) x 500 (d) x 150 mm (h)

### Material:

Top: 1.2 mm 304 grade stainless steel

Undershelf: 1.2 mm galvanised steel

Legs: 410 grade 42.5 mm diameter stainless steel



**PRODUCT CODE:** 15045SP

Brayco Stainless Steel is made from 95% recycled materials

### FEATURES AND BENEFITS

- Adjustable Height Undershelf.
- High Grade Stainless Steel.
- Supplied Flat Pack: Simple assembly required.
- Construction: Our bench tops and legs are fully stainless steel with round legs and a galvanised undershelf.
- Built strong: Our benches feature 1.2 mm thick 304 grade stainless steel which is 20% thicker than some benches on the market.
- Splashback: 50 mm high.
- Adjustable Feet: Supplied attached to legs.

### COMPONENTS

- 1 Splashback 50 mm (high), 40 mm (deep)
- 2 Legs Ø 42.5 mm
- 3 Undershelf 1.5 mm (adjustable height)
- 4 Adjustable feet Adjustable up to 18 mm

### LEGS UPGRADE

- 430 Grade Stainless Undershelf: For extremely salty or chemical conditions.
- 201 Grade Stainless Legs & Feet: For extremely salty or chemical conditions. Feet adjust up to 38 mm.
- 410 Grade Stainless Legs & Lockable Castors
- 201 Grade Stainless Legs & Lockable Castors: For extremely salty or chemical conditions.
- 410 Grade Stainless Steel Legs & Screw Down Feet: Adjustable up to 20 mm.
- 201 Grade Stainless Steel Legs & Screw Down Feet: Adjustable up to 20 mm.



It is important that your stainless steel is kept clean to extend the lifetime of the product.



Brisbane • Sydney • Melbourne • Hobart • Adelaide • Perth • Auckland

For more info please contact your nearest Brayco Branch 1300 272 926 | [brayco.com.au](http://brayco.com.au)